

# Supports Antivibratoires Caoutchouc-Métal

## HI SEC

### CARACTÉRISTIQUES TECHNIQUES

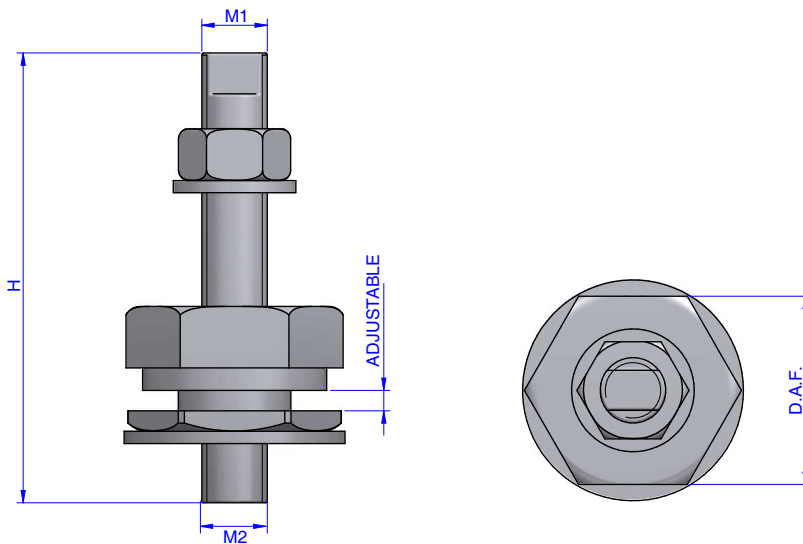
DNV rules for ships/ High Speed light craft, Issue Jan 2001 Point 4 Chapter 3 Section1 F202, establishes that standard height adjusters are not acceptable for leveling, due to cyclic bending moments that the studs and bolts are subjected to. This is the reason why leveling of mounts using shims beneath the mounts is the only recommended method for leveling.

AMC-MECANOCAUCHO shares also this method and that is the reason why AMC-MECANOCAUCHO@ Shims have been developed. In order to achieve a fine leveling HI-SEC height adjusters allow a final precise adjusting with security.

This height adjusting system is Zinc plated and chromate according to DIN 50691/ISO 2081 to protect against the corrosion.



### DESIGNS



### DIMENSIONS

Genre	H (mm.)	M1	M2	ADJUSTABLE (mm.)	MILLING HEAD	NORDLOCK	COMMERCIAL SCREW	D.A.F.	Poids (gr.)	Code
HI SEC	110	M16	M12	5	Y	N	N	46	357	708077
	110	M16	M16	5	Y	N	N	46	514	708007
	130	M20	M20	5	N	Y	N	46	775	708018
	160	M20	M20	10	Y	N	Y	55	1011	708029
	160	M20	M20	10	N	Y	N	55	1096	708005
	200	M24	M24	10	N	Y	N	120	2234	708011