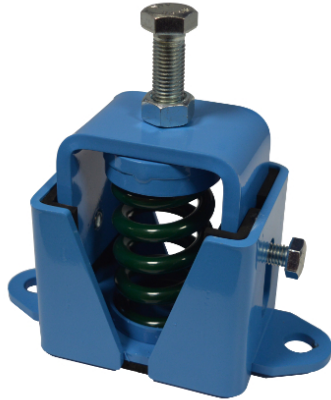


## Vibrabsorber

# 1 AMC ANTI-SEISMIC



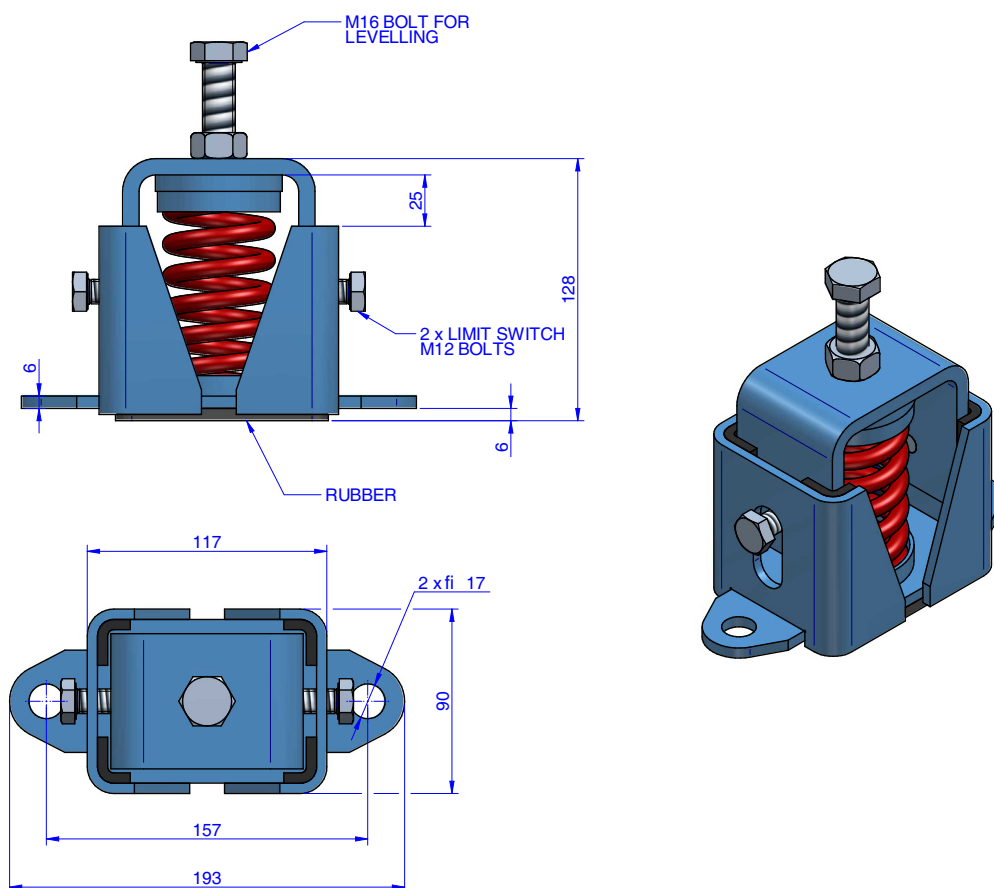
These brackets are made of mechanical anchoring systems which ensure your unit applications static and provide high reliability for the isolation of low frequency vibrations. In order to improve their performance in seismic applications the technical department of AMC-MECANOCAUCHO designed a new internal architecture to resist such environments.



## Vibrabsorber

# 1 AMC ANTI-SEISMIC

### DRAWINGS



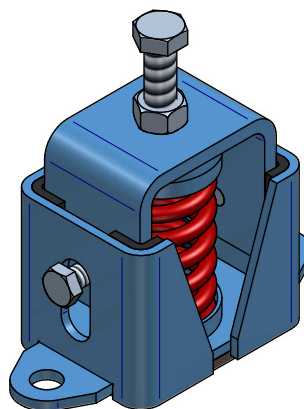
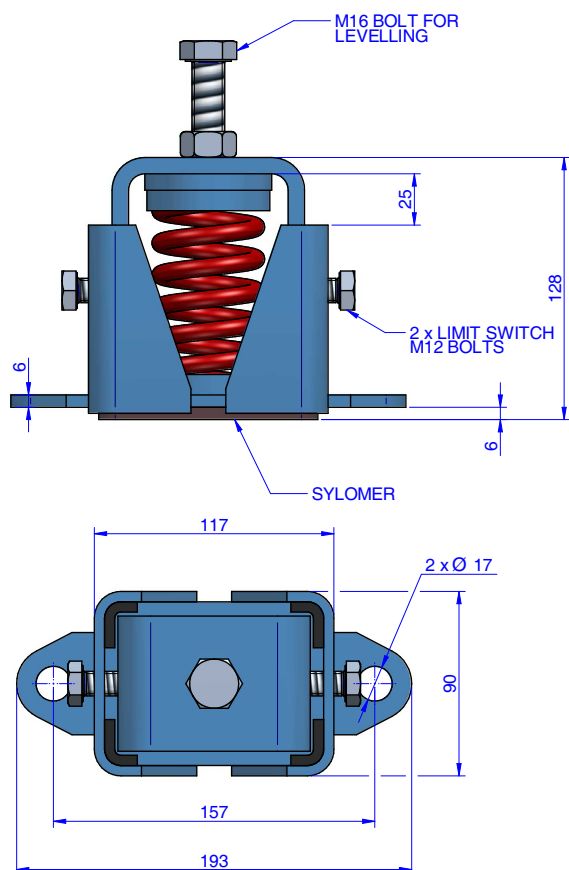
### DIMENSIONS

| Type               | No. Springs | Spring color | DEFLECTION<br>mm. | Weight<br>(kg.) | LOAD<br>Kg. MAX | Code  |
|--------------------|-------------|--------------|-------------------|-----------------|-----------------|-------|
| 1 AMC ANTI-SEISMIC | 1           | PURPLE       | 22                | 3,155           | 305             | 20409 |
|                    | 1           | GREEN        | 22                | 3,204           | 405             | 20381 |
|                    | 1           | GREY         | 22                | 3,318           | 540             | 20382 |
|                    | 1           | WHITE        | 22                | 3,248           | 612             | 20383 |
|                    | 1           | RED          | 22                | 3,414           | 803             | 20384 |

## Vibrabsorber

# 1 AMC ANTI-SEISMIC

### DRAWINGS



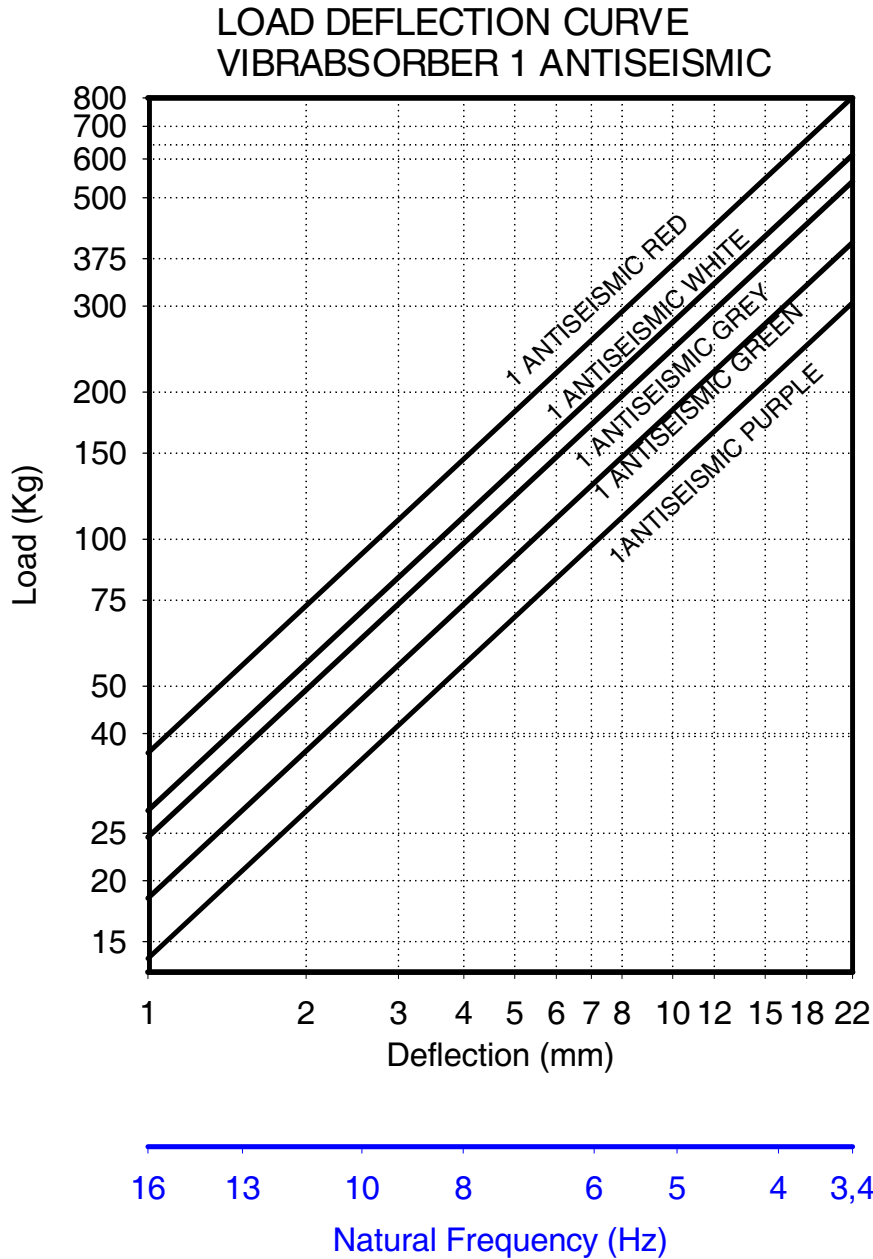
### DIMENSIONS

| Type                         | No. Springs | Spring color | DEFLECTION mm. | Weight (kg.) | LOAD Kg. MAX | Code  |
|------------------------------|-------------|--------------|----------------|--------------|--------------|-------|
| 1 AMC ANTI-SEISMIC + SYLOMER | 1           | PURPLE       | 22             | 3,191        | 305          | 20413 |
|                              | 1           | GREEN        | 22             | 3,686        | 405          | 20377 |
|                              | 1           | GREY         | 22             | 3,284        | 540          | 20378 |
|                              | 1           | WHITE        | 22             | 3,284        | 612          | 20379 |
|                              | 1           | RED          | 22             | 3,449        | 803          | 20380 |

Vibrabsorber

**1 AMC ANTI-SEISMIC**

Elastical properties



# Vibrabsorber

## 1 AMC ANTI-SEISMIC

### ADVANTAGES



In addition to its resistance these pieces offer the following advantages:

- TRANSPORT SAFETY: Vibrabsorber seismic brackets feature a locking device, so that the brackets are locked during transport of the machine.
- NOISE ISOLATION STRUCTURE: The supports vibrabsorber seismic Sylomer ® have in their interior, microcellular polyurethane insulates this mid and high frequencies that are transmitted by the spring.