

Vibrabsorber

2 AMC ANTI-SEISMIC



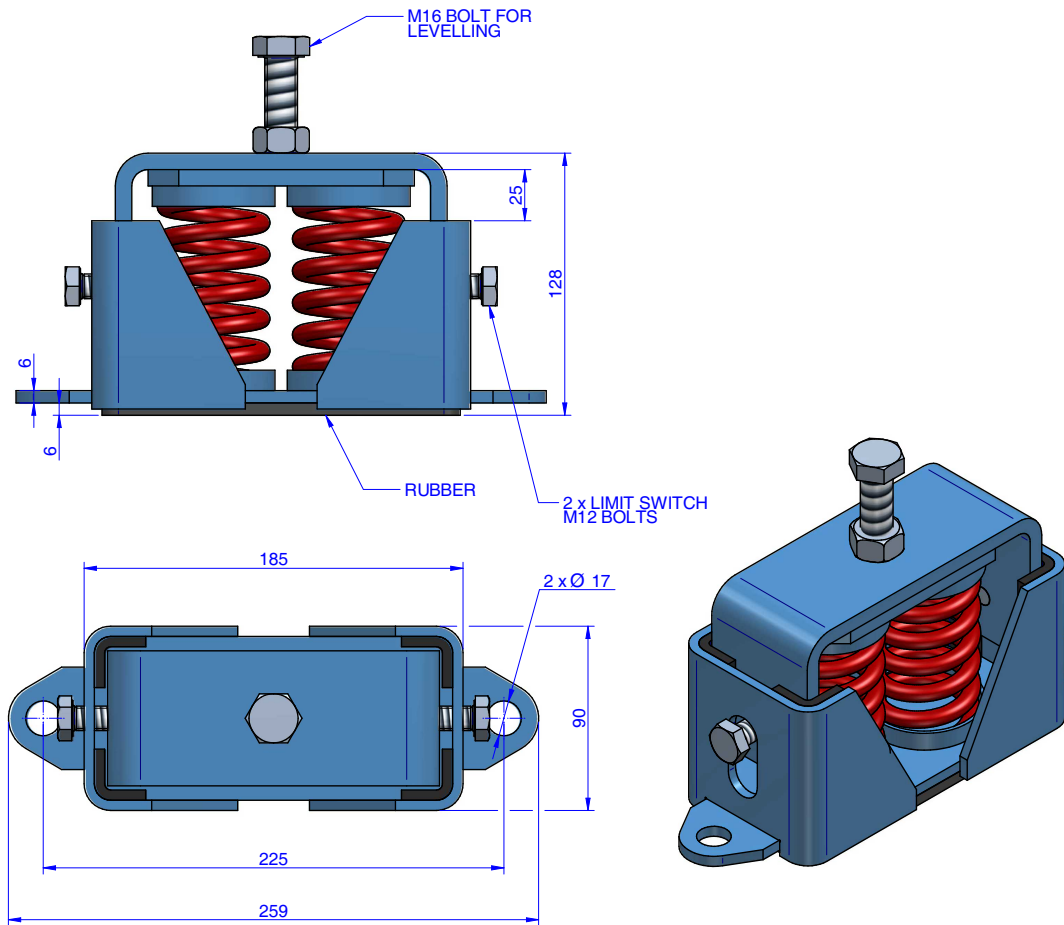
These brackets are made of mechanical anchoring systems which ensure your unit applications static and provide high reliability for the isolation of low frequency vibrations. In order to improve their performance in seismic applications the technical department of AMC-MECANOCAUCHO designed a new internal architecture to resist such environments.



Vibrabsorber

2 AMC ANTI-SEISMIC

DRAWINGS



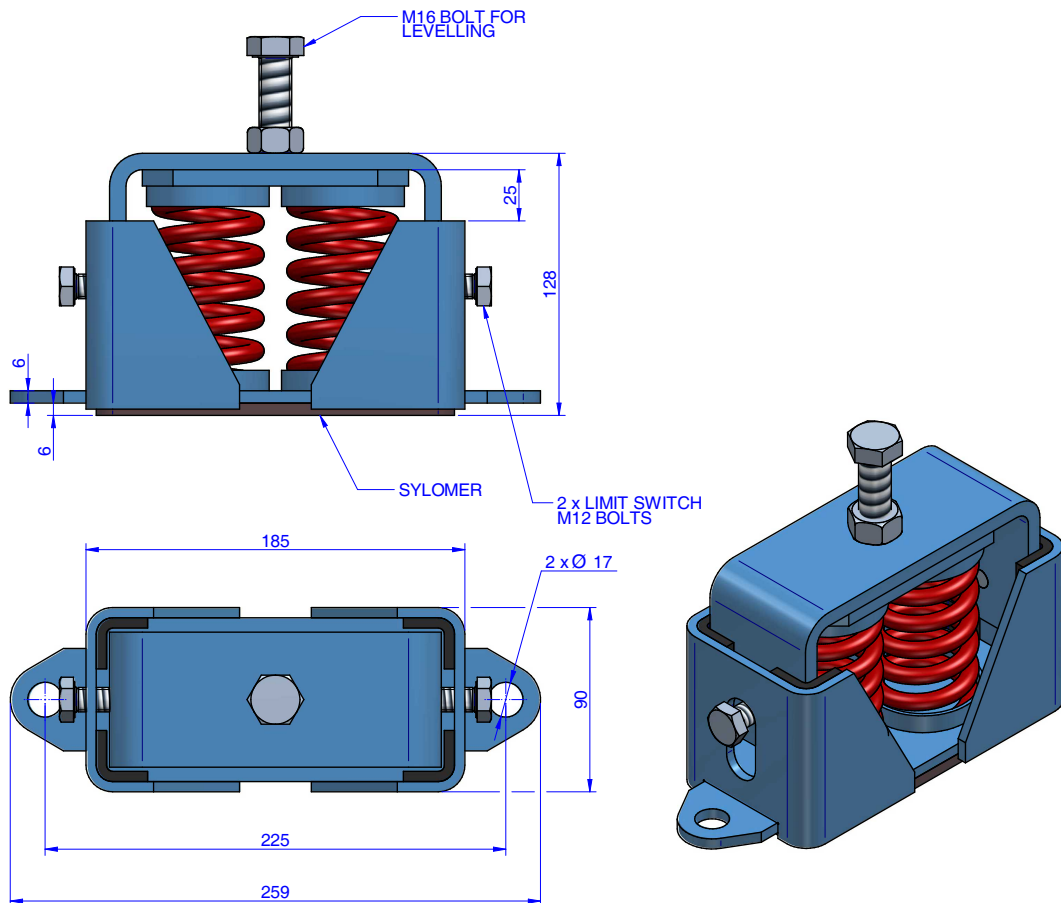
DIMENSIONS

Type	No. Springs	Spring color	DEFLECTION mm.	Weight (kg.)	LOAD Kg. MAX	Code
2 AMC ANTI-SEISMIC	2	PURPLE	22	4,819	610	20494
	2	GREEN	22	4,919	815	20496
	2	GREY	22	5,011	1080	20497
	2	WHITE	22	5,142	1225	20498
	2	RED	22	5,337	1610	20500

Vibrabsorber

2 AMC ANTI-SEISMIC

DRAWINGS



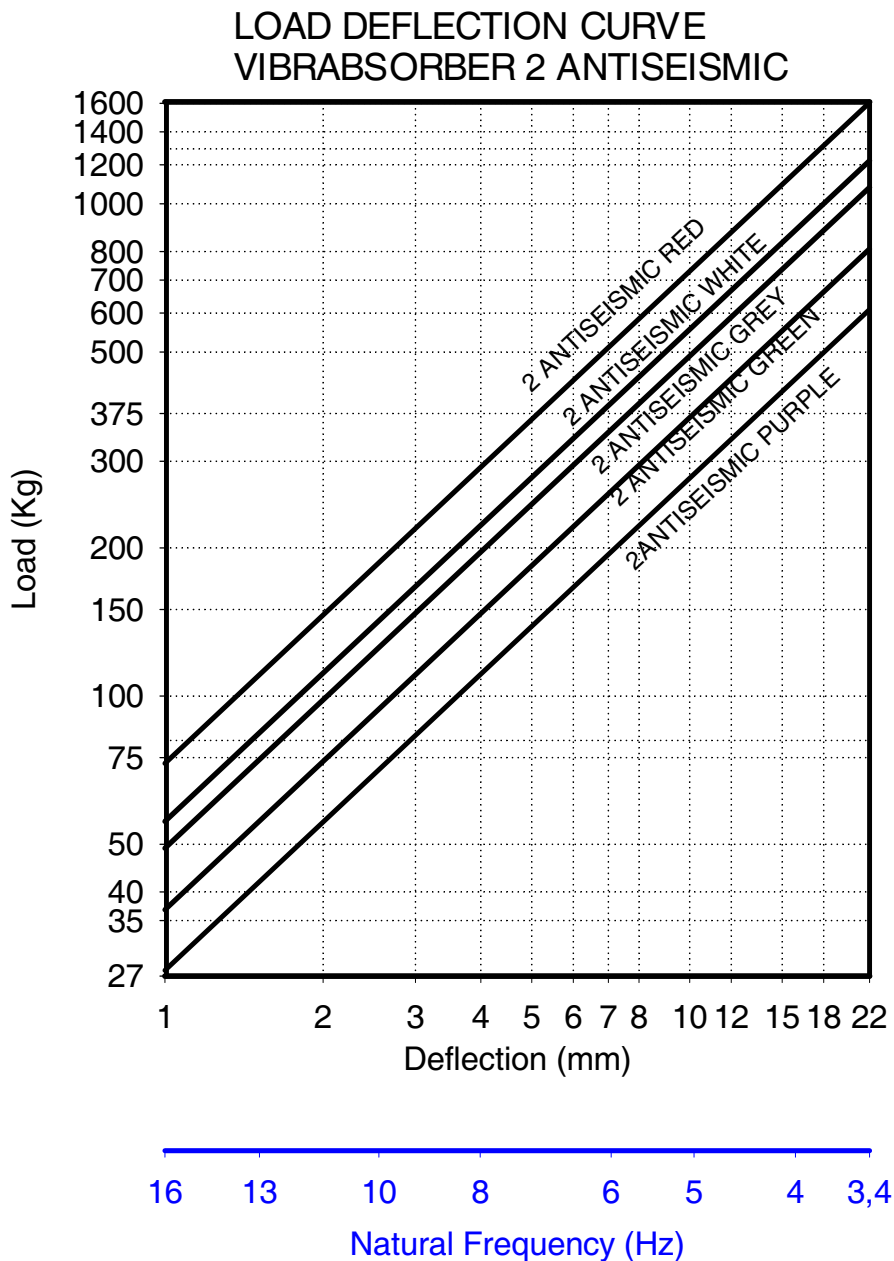
DIMENSIONS

Type	No. Springs	Spring color	DEFLECTION mm.	Weight (kg.)	LOAD Kg. MAX	Code
2 AMC ANTI-SEISMIC + SYLOMER	2	PURPLE	22	4,869	610	20480
	2	GREEN	22	4,97	815	20487
	2	GREY	22	5,192	1080	20488
	2	WHITE	22	5,06	1225	20489
	2	RED	22	5,386	1610	20490

Vibrabsorber

2 AMC ANTI-SEISMIC

Elastical properties



Vibrabsorber

2 AMC ANTI-SEISMIC

ADVANTAGES



In addition to its resistance these pieces offer the following advantages:

- TRANSPORT SAFETY: Vibrabsorber seismic brackets feature a locking device, so that the brackets are locked during transport of the machine.
- NOISE ISOLATION STRUCTURE: The supports vibrabsorber seismic Sylomer ® have in their interior, microcellular polyurethane insulates this mid and high frequencies that are transmitted by the spring.