

Vibrabsorber

4 AMC ANTI-SEISMIC



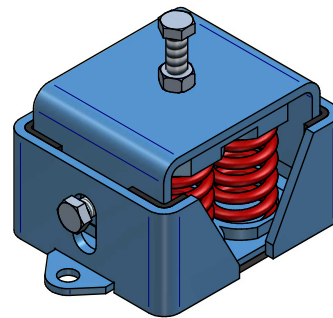
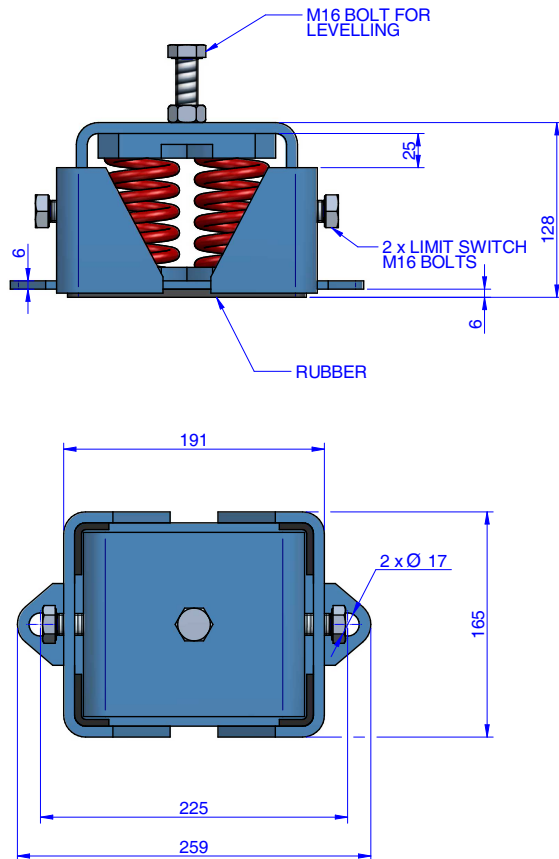
These brackets are made of mechanical anchoring systems which ensure your unit applications static and provide high reliability for the isolation of low frequency vibrations. In order to improve their performance in seismic applications the technical department of AMC-MECANOCAUCHO designed a new internal architecture to resist such environments.



Vibrabsorber

4 AMC ANTI-SEISMIC

DRAWINGS



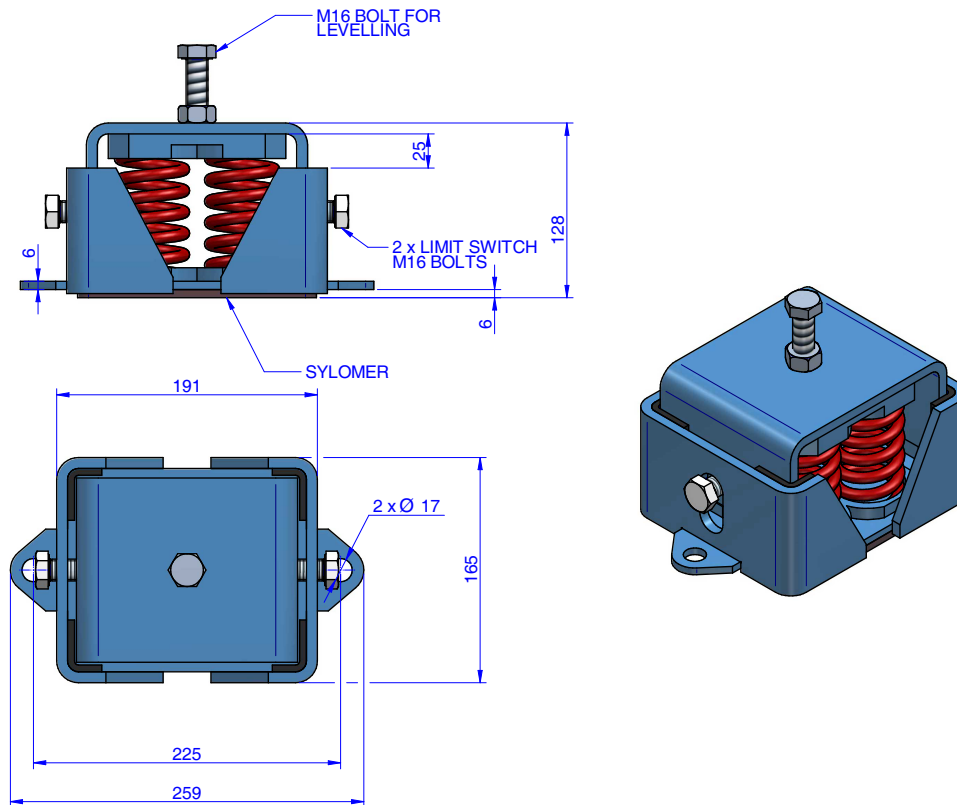
DIMENSIONS

Type	No. Springs	Spring color	DEFLECTION mm.	Weight (kg.)	LOAD kg. MAX	Code
4 AMC ANTI-SEISMIC	4	PURPLE	22	-	1220	20700
	4	GREEN	22	-	1620	20696
	4	GREY	22	-	2160	20697
	4	WHITE	22	-	2448	20698
	4	RED	22	-	3212	20699

Vibrabsorber

4 AMC ANTI-SEISMIC

DRAWINGS



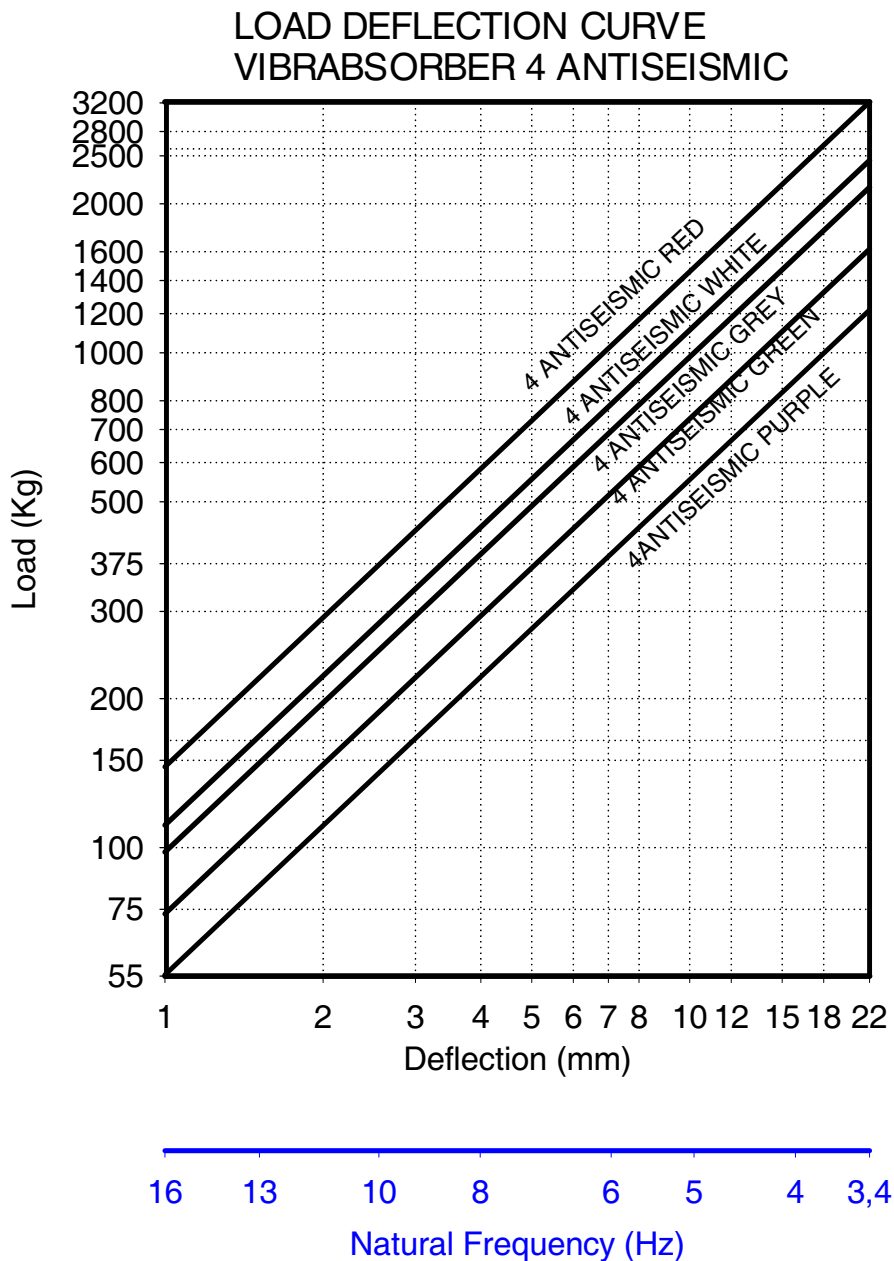
DIMENSIONS

Type	No. Springs	Spring color	DEFLECTION mm.	Weight (kg.)	LOAD Kg. MAX	Code
4 AMC ANTI-SEISMIC + SYLOMER	4	PURPLE	22	-	1220	20686
	4	GREEN	22	-	1620	20687
	4	GREY	22	-	2160	20688
	4	WHITE	22	-	2448	20689
	4	RED	22	-	3212	20690

Vibrabsorber

4 AMC ANTI-SEISMIC

Elastical properties



Vibrabsorber

4 AMC ANTI-SEISMIC

ADVANTAGES



In addition to its resistance these pieces offer the following advantages:

- TRANSPORT SAFETY: Vibrabsorber seismic brackets feature a locking device, so that the brackets are locked during transport of the machine.
- NOISE ISOLATION STRUCTURE: The supports vibrabsorber seismic Sylomer ® have in their interior, microcellular polyurethane insulates this mid and high frequencies that are transmitted by the spring.