

## Vibrabsorber

# 6 AMC ANTI-SEISMIC



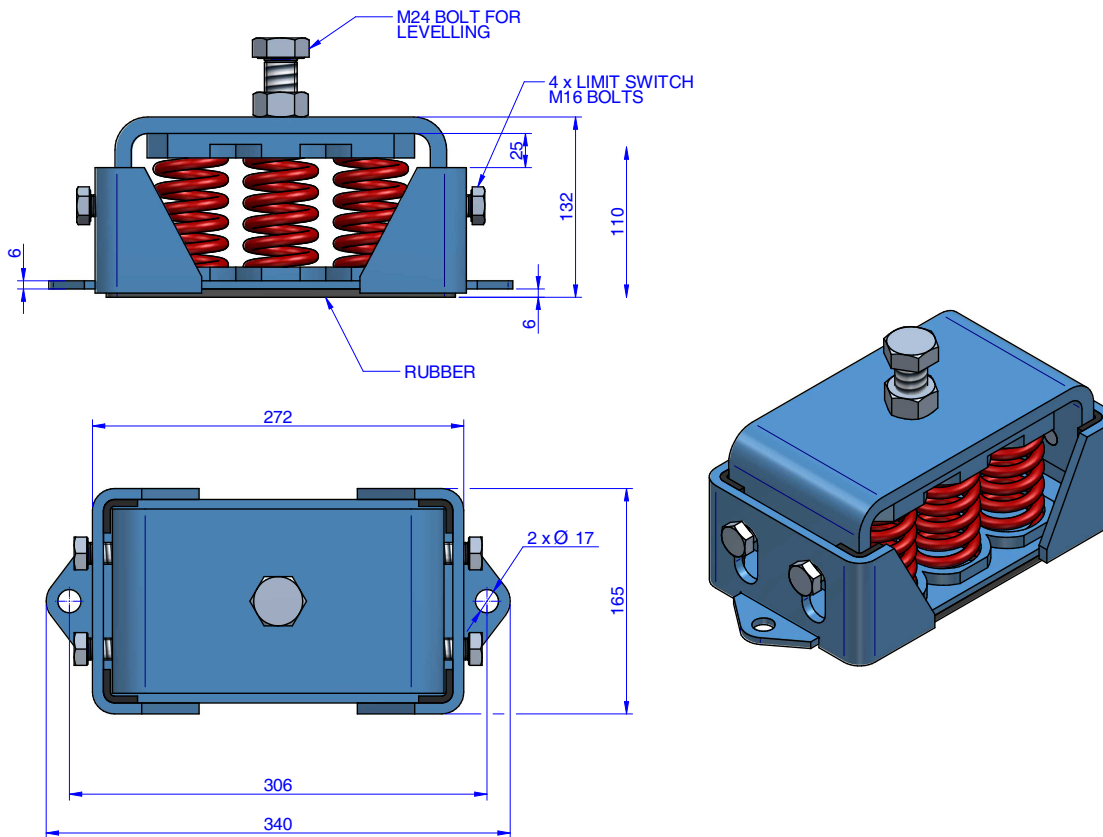
These brackets are made of mechanical anchoring systems which ensure your unit applications static and provide high reliability for the isolation of low frequency vibrations. In order to improve their performance in seismic applications the technical department of AMC-MECANOCAUCHO designed a new internal architecture to resist such environments.



# Vibrabsorber

## 6 AMC ANTI-SEISMIC

### DRAWINGS



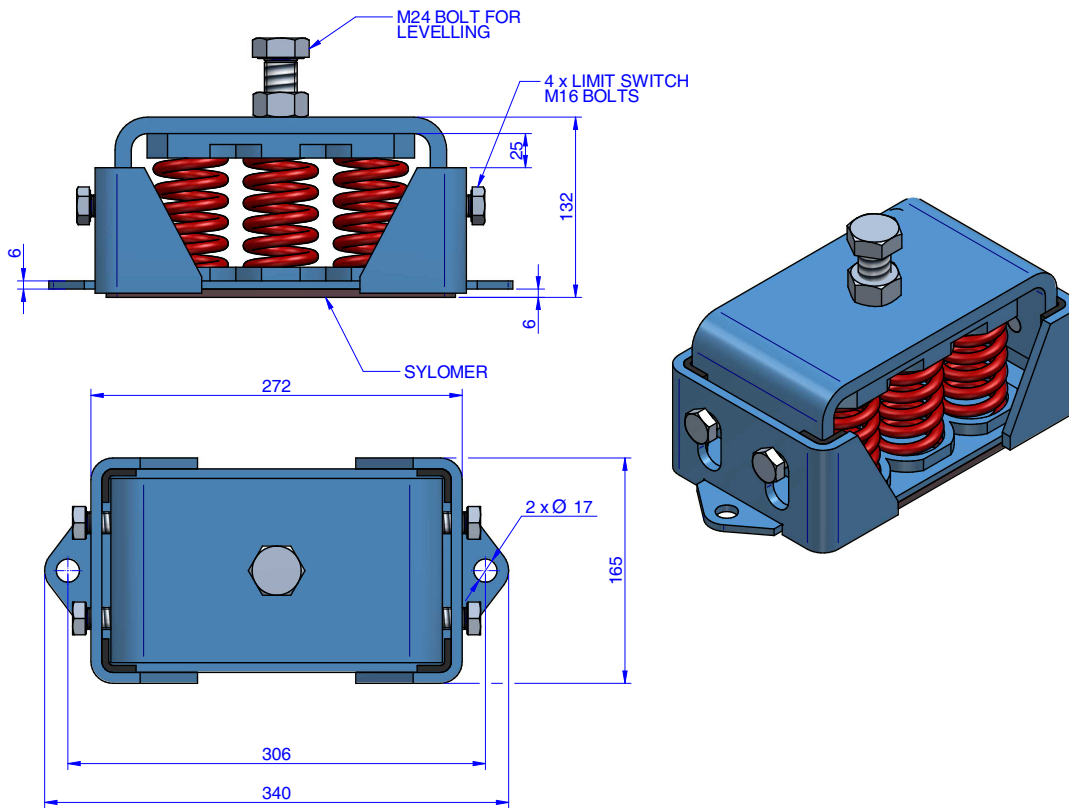
### DIMENSIONS

Type	No. Springs	Spring color	DEFLECTION mm.	Weight (kg.)	LOAD Kg. MAX	Code
6 AMC ANTI-SEISMIC	6	PURPLE	22	-	1830	20761
	6	GREEN	22	-	2430	20762
	6	GREY	22	-	3240	20763
	6	WHITE	22	-	3672	20764
	6	RED	22	-	4818	20765

## Vibrabsorber

# 6 AMC ANTI-SEISMIC

### DRAWINGS



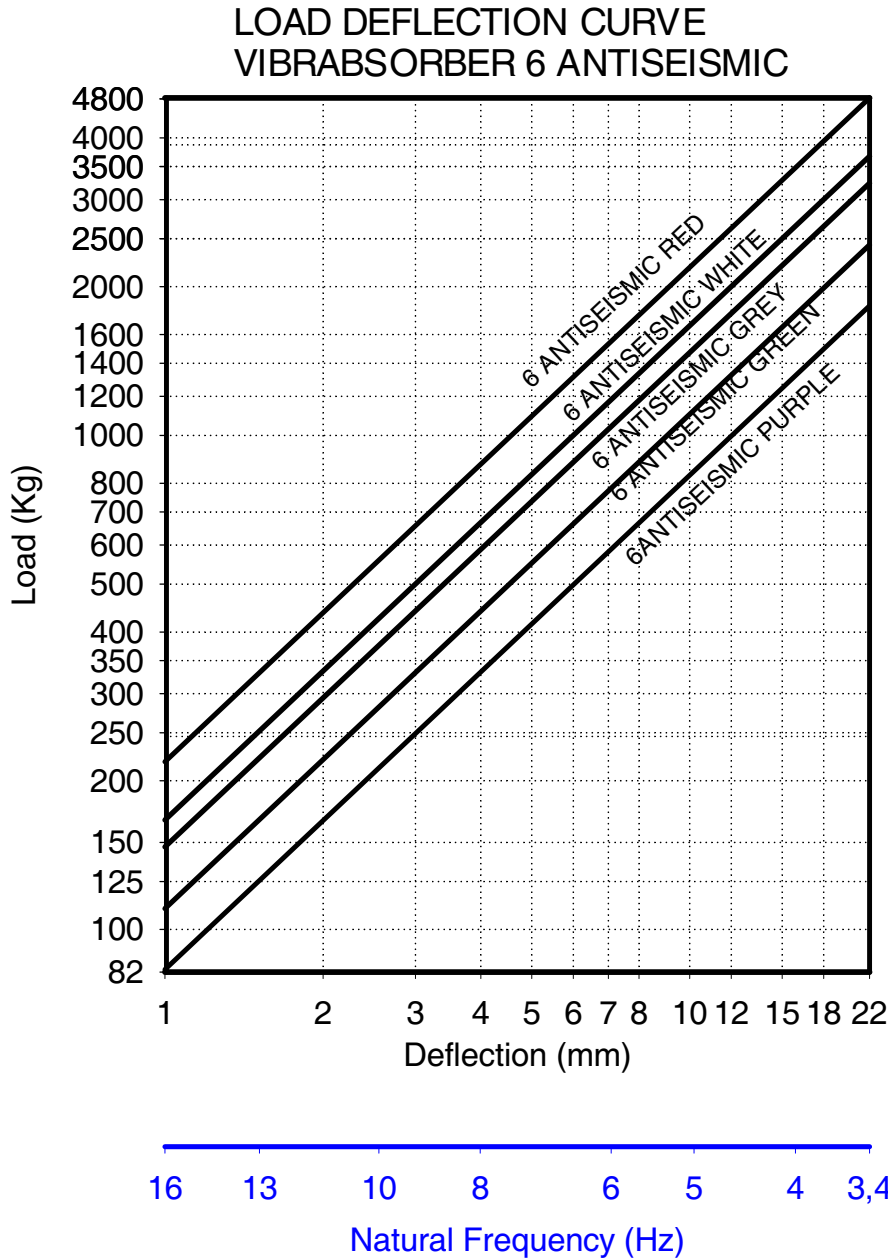
### DIMENSIONS

Type	No. Springs	Spring color	DEFLECTION mm.	Weight (kg.)	LOAD kg. MAX	Code
6 AMC ANTI-SEISMIC + SYLOMER	6	PURPLE	22	-	1830	20766
	6	GREEN	22	-	2430	20767
	6	GREY	22	-	3240	20768
	6	WHITE	22	-	3672	20769
	6	RED	22	-	4818	20770

Vibrabsorber

**6 AMC ANTI-SEISMIC**

Elastical properties



## Vibrabsorber

# 6 AMC ANTI-SEISMIC

### ADVANTAGES



In addition to its resistance these pieces offer the following advantages:

- TRANSPORT SAFETY: Vibrabsorber seismic brackets feature a locking device, so that the brackets are locked during transport of the machine.
- NOISE ISOLATION STRUCTURE: The supports vibrabsorber seismic Sylomer ® have in their interior, microcellular polyurethane insulates this mid and high frequencies that are transmitted by the spring.