

Vibrabsorber

9 AMC ANTI-SEISMIC



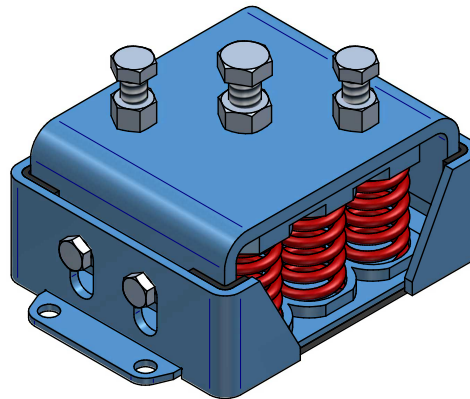
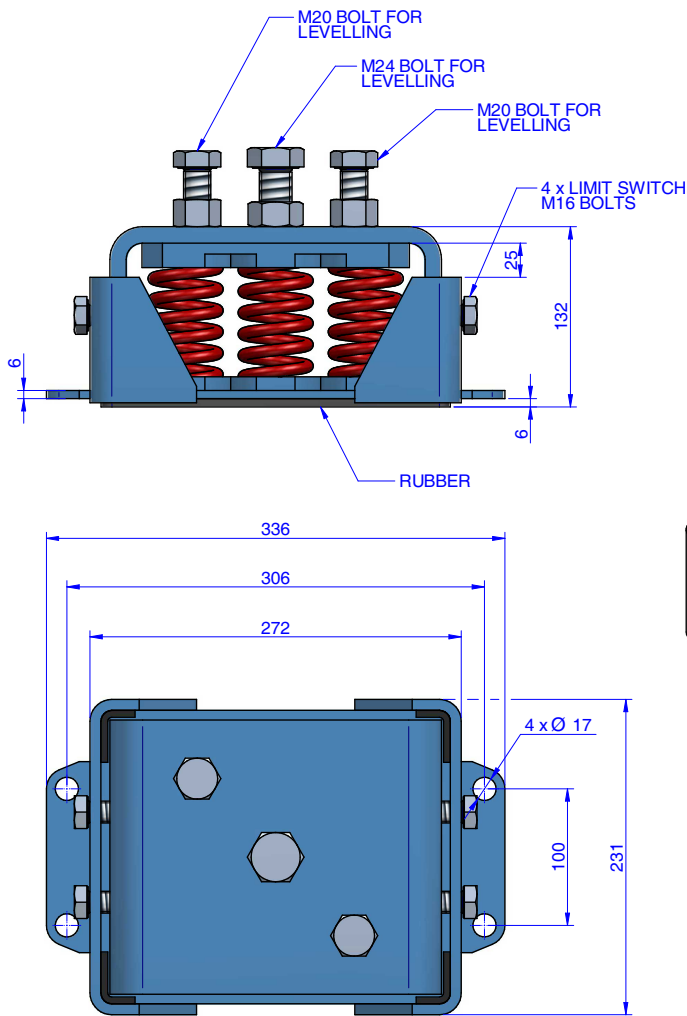
These brackets are made of mechanical anchoring systems which ensure your unit applications static and provide high reliability for the isolation of low frequency vibrations. In order to improve their performance in seismic applications the technical department of AMC-MECANOCAUCHO designed a new internal architecture to resist such environments.



Vibrabsorber

9 AMC ANTI-SEISMIC

DRAWINGS



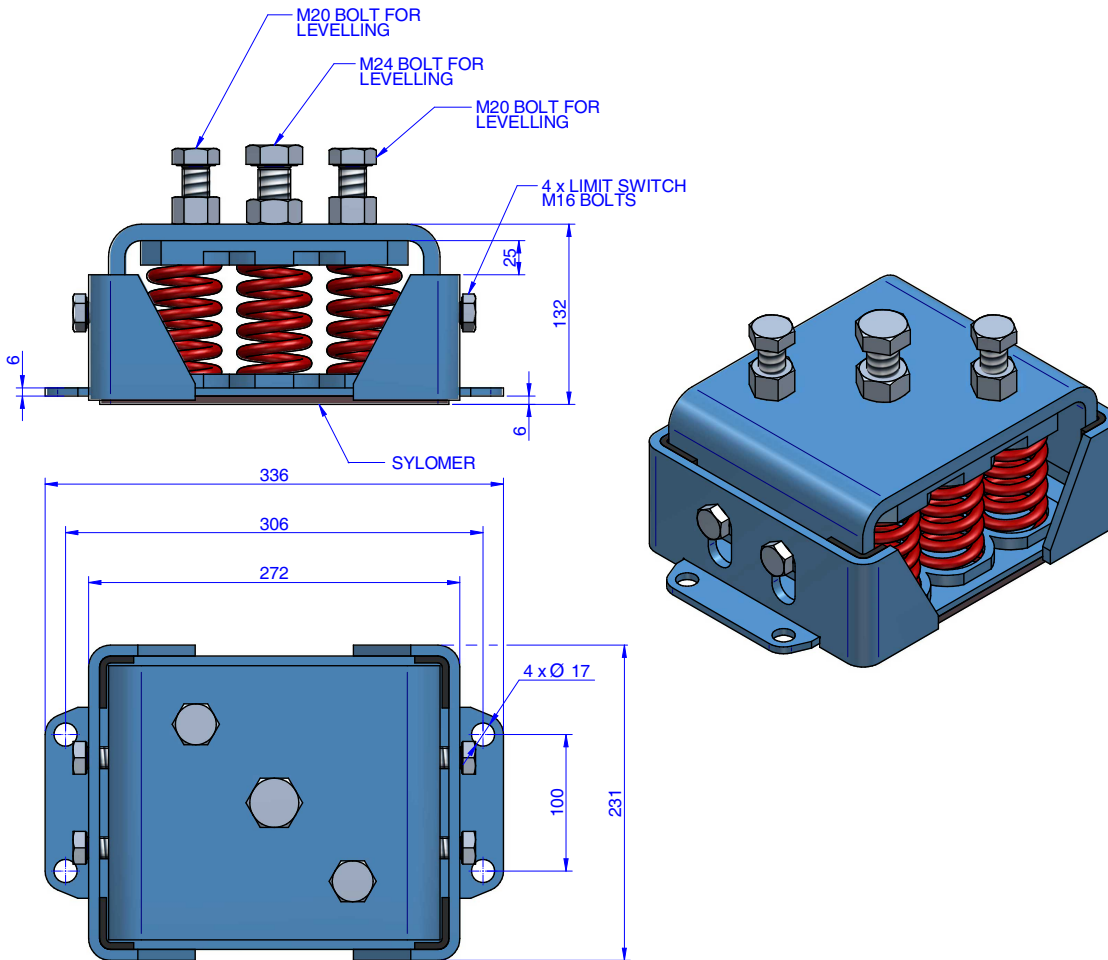
DIMENSIONS

Type	No. Springs	Spring color	DEFLECTION mm.	Weight (kg.)	LOAD kg. MAX	Code
9 AMC ANTI-SEISMIC	9	PURPLE	22	-	2745	20961
	9	GREEN	22	-	3645	20962
	9	GREY	22	-	4860	20963
	9	WHITE	22	-	5508	20964
	9	RED	22	-	7227	20965

Vibrabsorber

9 AMC ANTI-SEISMIC

DRAWINGS



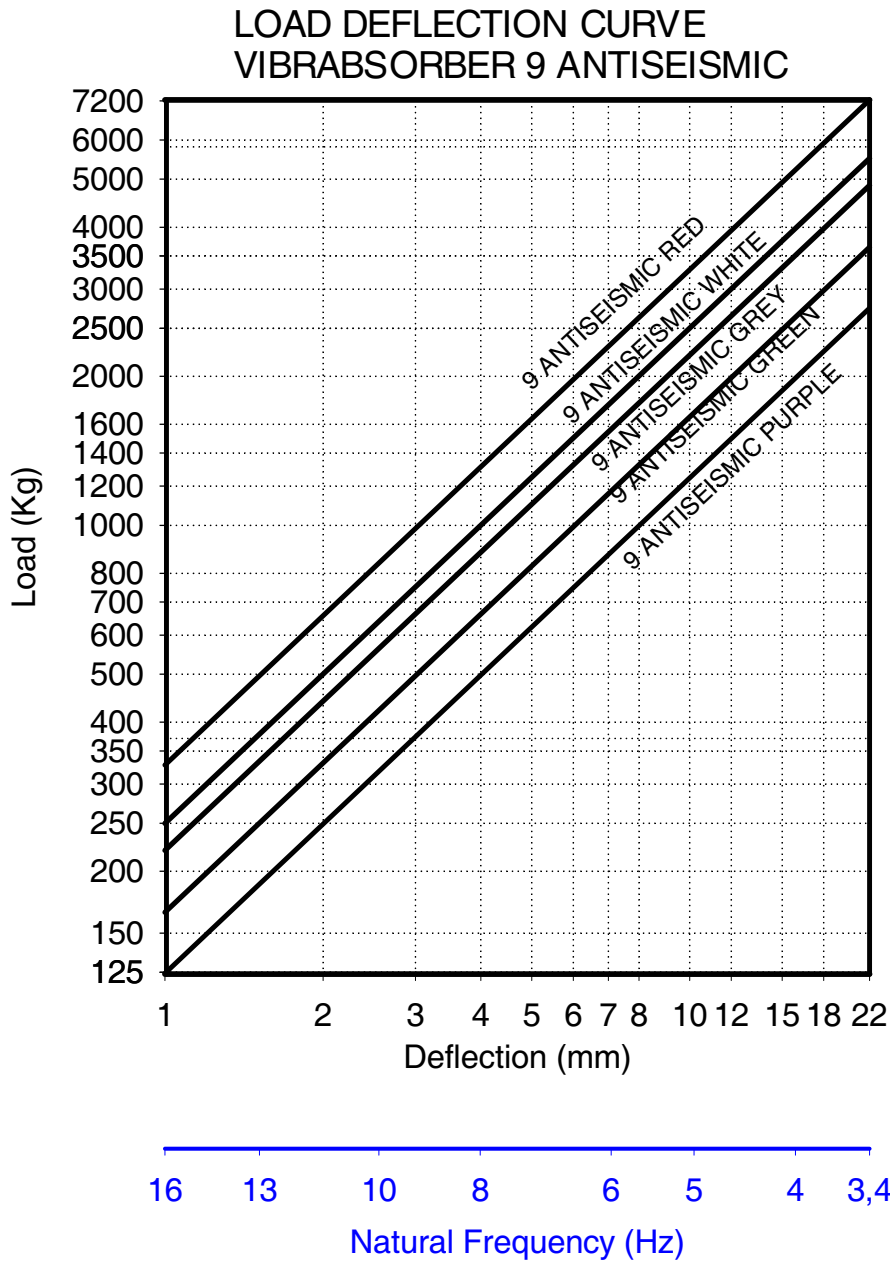
DIMENSIONS

Type	No. Springs	Spring color	DEFLECTION mm.	Weight (kg.)	LOAD kg. MAX	Code
9 AMC ANTI-SEISMIC + SYLOMER	9	PURPLE	22	-	2745	20992
	9	GREEN	22	-	3645	20993
	9	GREY	22	-	4860	20994
	9	WHITE	22	-	5508	20995
	9	RED	22	-	7227	20996

Vibrabsorber

9 AMC ANTI-SEISMIC

Elastical properties



Vibrabsorber

9 AMC ANTI-SEISMIC

ADVANTAGES



In addition to its resistance these pieces offer the following advantages:

- **TRANSPORT SAFETY:** Vibrabsorber seismic brackets feature a locking device, so that the brackets are locked during transport of the machine.
- **NOISE ISOLATION STRUCTURE:** The supports vibrabsorber seismic Sylomer ® have in their interior, microcellular polyurethane insulates this mid and high frequencies that are transmitted by the spring.