

AMC MECANOCAUCHO® BOBBINS

DESCRIPTION

The AMC MECANOCAUCHO® Bobbins are devices for making elastic anchorings or fixings. They can be used in a wide variety of applications, particularly for elastic suspensions and antivibration isolation of machines and different mechanical organs.

They are made of a block of rubber with two parallel metal parts at the end which enable it to be fixed either by screws in the "C" model or with nuts in the "A" model or a combination of both in the "B" model.

The rubber block may be cylindrical in cases requiring greater load capacity or as a diabolo when greater elasticity is required in all directions.

OPERATION AND ASSEMBLY

Its elasticity is much greater in all the directions parallel to the armatures than in the perpendicular direction. The rubber works based on compression or shear depending on the direction it is placed at installation time. This direction is made according to the use and the objective.

It is therefore installed with nuts or screws depending on the model chosen, with one part attached to the fixed chassis and the other to the machine to be suspended.

TECHNICAL CHARACTERISTICS

Depending on the size of the rubber block, the AMC MECANOCAUCHO® bobbing has more or less elasticity, which is greater particularly in all directions perpendicular to its axis (shear).

The AMC MECANOCAUCHO® bobbing thus makes it possible to make joints which permit major relative movements, up to several millimetres (in the case of heat expansion, chassis deformations, etc.).

The AMC MECANOCAUCHO® bobbing serves very well for the vibration isolation of machines where the vibrations are perpendicular to their axis, unless these stresses are too much when applied in this direction.

ADVANTAGES

- Easy to install.
- High elasticity (particularly transversal).
- Economical.

APPLICATIONS

The AMC MECANOCAUCHO® bobbins are particularly suitable for installation on small motor-pumps, motor-ventilators, driers, sieves, compactors, washing machines, electrical motors, on-board control panels, measuring apparatuses, control cabinets, microphones, fluorescent tubes, etc.



AMC MECANOCAUCHO® BOBBINS TYPE A

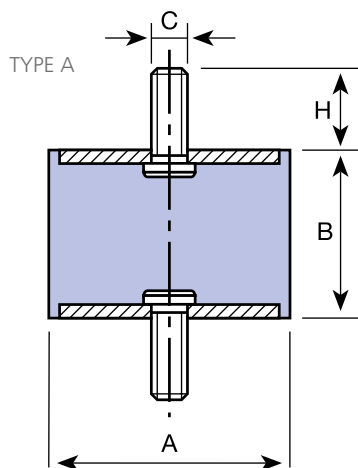
OPERATION AND ASSEMBLY

Their elasticity is much greater in all the directions parallel to the armatures than in the perpendicular direction. The rubber works based on compression or shear depending on the direction it is placed in at installation time. This direction is made according to the use and the objective.

It is therefore installed with nuts or screws depending on the model chosen, with one part attached to the fixed chassis and the other to the machine to be suspended.

APPLICATIONS

The AMC MECANOCAUCHO® bobbins are particularly suitable for installation on small motor-pumps, motor-ventilators, driers, sieves, compactors, washing machines, electrical motors, on-board control panels, measuring apparatuses, control cabinets, microphones, fluorescent tubes, etc.



Type	Code	A (mm.)	B (mm.)	C	H (mm.)	COMPRESSION LOAD Max. daN	COMPRESSION DEFLECT. mm.	SHEAR LOAD Max. daN	SHEAR DEFLECT. mm.
BOBBINS TYPE A 12-25	120001	12,5	10	M5	10	12	2	1,5	1,5
	120002	12,5	15	M5	10	10	3	1,5	2
	120003	12,5	20	M5	10	8	3,5	1,5	4
	120011	16	10	M5	12	20	1,5	2,5	1,5
	120012	16	15	M5	12	20	3	2,5	2
	120013	16	20	M5	12	15	4	2,5	4
	120014	16	25	M5	12	15	5	2	5
	120021	20	8,5	M6	16,5	40	1,5	5	1
	120022	20	15	M6	16,5	35	4	5	2,5
	120023	20	20	M6	16,5	30	5	5	3,5
	120024	20	25	M6	16,5	30	5,5	4,5	4,5
	120025	20	30	M6	16,5	25	7	4,5	4,5
	120171	25,5	10	M6	18	80	2	8	1,5
	120172	25,5	15	M6	18	60	3,5	8	2,5
	120173	25,5	20	M6	18	55	4,5	8	3,5
	120174	25,5	25	M6	18	50	6	8	4,5
120175	25,5	30	M6	18	50	8	8	6	
120026	25,5	10	M8	20	80	2	8	1,5	
120031	25,5	15	M8	20	60	3,5	8	2,5	
120032	25,5	19	M8	20	55	4,5	8	3,5	
120033	25,5	22	M8	20	50	5,5	8	4	
120034	25,5	25	M8	20	50	6	8	4,5	
120035	25,5	30	M8	20	50	8	8	6	
120036	25,5	40	M8	20	50	10	10	6	
BOBBINS TYPE A 30-50	120041	30	15	M8	20	90	3	11	2,5
	120042	30	22	M8	20	80	5	11	4
	120186	30	25	M8	20	75	6,5	11	5
	120043	30	30	M8	20	70	8	11	6
	120044	30	40	M8	20	60	9	11	7,7
	120193	40	20	M8	20	160	5	20	3
	120194	40	25	M8	20	150	6	20	3,5
	120195	40	28	M8	20	150	6	20	5,5
	120196	40	30	M8	20	150	6	30	5,5
	120197	40	35	M8	20	120	8	20	6,5
	120198	40	40	M8	20	120	10	20	7,5
	120199	40	45	M8	20	120	11	20	9
	120051	40	20	M10	25	160	5	20	3
	120191	40	25	M10	25	150	6	20	3,5
	120052	40	28	M10	25	150	6	20	5,5
	120192	40	30	M10	25	150	6	30	5,5
120053	40	35	M10	25	120	8	20	6,5	
120054	40	40	M10	25	120	10	20	7,5	
120055	40	45	M10	25	120	11	20	9	
BOBBINS TYPE A 60-95	120201	50	20	M10	25	300	5	25	3,5
	120061	50	25	M10	25	300	6	25	4,5
	120202	50	30	M10	25	275	7	25	6,5
	120062	50	35	M10	25	250	8	25	7
	120203	50	40	M10	25	210	10	25	8
	120063	50	45	M10	25	190	11	25	9
	120204	50	50	M10	25	170	11	25	10,5
	120064	50	60	M10	25	150	11	25	12
	120071	60	25	M10	25	400	6	30	4,5
	120072	60	36	M10	25	300	9	30	7
	120073	60	45	M10	25	250	11	30	9
	120074	60	60	M10	25	200	12	30	10
	120081	70	35	M10	25	450	8	35	6,5
	120082	70	50	M10	25	350	11	35	11
	120083	70	60	M10	25	300	12	35	13
	120084	70	70	M10	25	300	14	35	15
120091	75	25	M12	30	650	7	37	5	
120092	75	40	M12	30	500	9	37	7	
120093	75	45	M12	30	500	10	37	9	
120094	75	55	M12	30	450	11	37	11	
120101	80	30	M14	35	950	7	40	5	
120102	80	40	M14	35	600	9	40	7	
120103	80	50	M14	35	550	10	40	8	
120104	80	55	M14	35	550	11	40	9	
120105	80	70	M14	35	500	13	40	15	
120106	80	75	M14	35	450	14	40	16	
120111	95	40	M16	45	1200	8	60	7	
120112	95	55	M16	45	1000	11	60	8	
120113	95	60	M16	45	800	12	60	10	
120114	95	75	M16	45	700	13	60	14	
BOBBINS TYPE A 105-150	120121	105	50	M16	45	1200	9	80	9
	120122	105	75	M16	45	1000	13	80	14
	120123	105	100	M16	45	800	16	80	16
	120131	120	50	M16	45	1500	9	100	9
	120132	120	75	M16	45	1200	13	100	14
	120133	120	100	M16	45	1000	16	100	16
	120142	130	50	M16	45	1600	9	120	9
	120143	130	75	M16	45	1450	13	120	14
	120144	130	100	M16	45	1200	16	120	16
	120151	150	50	M20	50	1800	9	140	9
120152	150	75	M20	50	1650	13	140	14	
120153	150	100	M20	50	1400	16	140	16	

AMC MECANOCAUCHO® BOBBINS TYPE B

OPERATION AND INSTALLATION

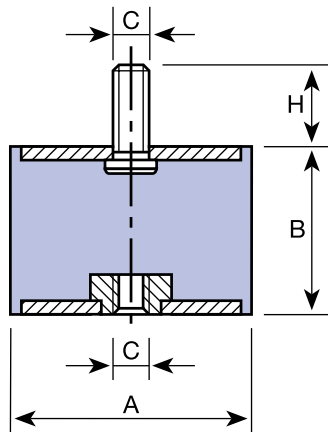
Their elasticity is much greater in all the directions parallel to the armatures than in the perpendicular direction. The rubber works based on compression or shear depending on the direction it is placed in at installation time. This direction is made according to the use and the objective.

It is therefore installed with nuts or screws depending on the model chosen, with one part attached to the fixed chassis and the other to the machine to be suspended.

APPLICATIONS

The AMC MECANOCAUCHO® bobbins are particularly suitable for installation on small motor-pumps, motor-ventilators, driers, sieves, compactors, washing machines, electrical motors, on-board control panels, measuring apparatuses, control cabinets, microphones, fluorescent tubes, etc.

TYPE B



Type	Code	A (mm.)	B (mm.)	C	H (mm.)	COMPRESSION LOAD Max. daN	COMPRESSION DEFLECT. mm.	SHEAR LOAD Max. daN	SHEAR DEFLECT. mm.
BOBBINS TYPE B 12-25	121001	12,5	10	M5	10	12	2	1,5	1,5
	121002	12,5	15	M5	10	10	3	1,5	2
	121003	12,5	20	M5	10	8	3,5	1,5	4
	121011	16	10	M5	12	20	1,5	2,5	1,5
	121012	16	15	M5	12	20	3	2,5	2
	121013	16	20	M5	12	15	4	2,5	4
	121014	16	25	M5	12	15	5	2	5
	121022	20	15	M6	16,5	35	4	5	2,5
	121023	20	20	M6	16,5	30	5	5	3,5
	121024	20	25	M6	16,5	30	5,5	4,5	4,5
	121025	20	30	M6	16,5	25	7	4,5	4,5
	121172	25,5	15	M6	18	60	3,5	8	2,5
	121173	25,5	20	M6	18	55	4,5	8	3,5
	121174	25,5	25	M6	18	50	6	8	4,5
	121175	25,5	30	M6	18	50	8	8	6
	121031	25,5	15	M8	20	60	3,5	8	2,5
121032	25,5	19	M8	20	55	4,5	8	3,5	
121033	25,5	22	M8	20	50	5,5	8	4	
121034	25,5	25	M8	20	50	6	8	4,5	
121035	25,5	30	M8	20	50	8	8	6	
121036	25,5	40	M8	20	50	10	10	6	
BOBBINS TYPE B 30-40	121041	30	15	M8	20	90	3	11	2,5
	121042	30	22	M8	20	80	5	11	4
	121186	30	25	M8	20	75	6,5	11	5
	121043	30	30	M8	20	70	8	11	6
	121044	30	40	M8	20	60	9	11	7,5
	121193	40	20	M8	20	160	5	20	3
	121194	40	25	M8	20	150	6	20	3,5
	121195	40	28	M8	20	150	6	20	5,5
	121196	40	30	M8	20	150	6	30	5,5
	121197	40	35	M8	20	120	8	20	6,5
	121198	40	40	M8	20	120	10	20	7,5
	121199	40	45	M8	20	120	11	20	9
	121051	40	20	M10	25	160	5	20	3
	121191	40	25	M10	25	150	6	20	3,5
	121052	40	28	M10	25	150	6	20	5,5
	121192	40	30	M10	25	150	6	30	5,5
121053	40	35	M10	25	120	8	20	6,5	
121054	40	40	M10	25	120	10	20	7,5	
121055	40	45	M10	25	120	11	20	9	
BOBBINS TYPE B 50-75	121201	50	20	M10	25	300	5	25	3,5
	121061	50	25	M10	25	300	6	25	4,5
	121202	50	30	M10	25	275	7	25	6,5
	121062	50	35	M10	25	250	8	25	7
	121203	50	40	M10	25	210	10	25	8
	121063	50	45	M10	25	190	11	25	9
	121204	50	50	M10	25	170	11	25	10,5
	121064	50	60	M10	25	150	11	25	12
	121071	60	25	M10	25	400	6	30	4,5
	121072	60	36	M10	25	300	9	30	7
	121073	60	45	M10	25	250	11	30	9
	121074	60	60	M10	25	200	12	30	10
	121081	70	35	M10	25	450	8	35	6,5
	121082	70	50	M10	25	350	11	35	11
	121083	70	60	M10	25	300	12	35	13
	121084	70	70	M10	25	300	14	35	15
121091	75	25	M12	30	650	7	37	5	
121092	75	40	M12	30	500	9	37	7	
121093	75	45	M12	30	500	10	37	9	
121094	75	55	M12	30	450	11	37	11	
BOBBINS TYPE B 80-150	121101	80	30	M14	35	950	7	40	5
	121102	80	40	M14	35	600	9	40	7
	121103	80	50	M14	35	550	10	40	8
	121104	80	55	M14	35	550	11	40	9
	121105	80	70	M14	35	500	13	40	15
	121106	80	75	M14	35	450	14	40	16
	121111	95	40	M16	45	1200	8	60	7
	121112	95	55	M16	45	1000	11	60	8
	121113	95	60	M16	45	800	12	60	10
	121114	95	75	M16	45	700	13	60	14
	121121	105	50	M16	45	1200	9	80	9
	121122	105	75	M16	45	1000	13	80	14
	121123	105	100	M16	45	800	16	80	16
	121131	120	50	M16	45	1500	9	100	9
	121132	120	75	M16	45	1200	13	100	14
	121133	120	100	M16	45	1000	16	100	16
121142	130	50	M16	45	1600	9	120	9	
121143	130	75	M16	45	1450	13	120	14	
121144	130	100	M16	45	1200	16	120	16	
121151	150	50	M20	50	1800	9	140	9	
121152	150	75	M16	50	1650	13	140	14	
121153	150	100	M16	50	1400	16	140	16	

AMC MECANOCAUCHO® BOBBINS TYPE C

OPERATION AND INSTALLATION

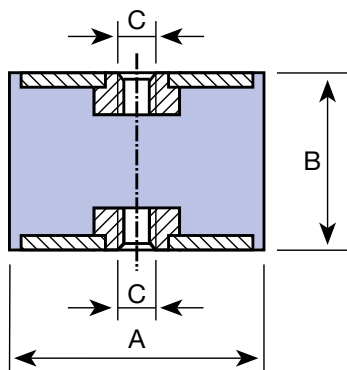
Their elasticity is much greater in all the directions parallel to the armatures than in the perpendicular direction. The rubber works based on compression or shear depending on the direction it is placed in at installation time. This direction is made according to the use and the objective.

It is therefore installed with nuts or screws depending on the model chosen, with one part attached to the fixed chassis and the other to the machine to be suspended.

APPLICATIONS

The AMC MECANOCAUCHO® bobbins are particularly suitable for installation on small motor-pumps, motor-ventilators, driers, sieves, compactors, washing machines, electrical motors, on-board control panels, measuring apparatuses, control cabinets, microphones, fluorescent tubes, etc.

TYPE C



Type	Code	A (mm.)	B (mm.)	C	COMPRESSION LOAD Max. daN	COMPRESSION DE- FLECT. mm.	SHEAR LOAD Max. daN	SHEAR DEFLECT. mm.
BOBBINS TYPE C 12-30	122003	12,5	20	M5	8	3,5	1,5	4
	122013	16	20	M5	15	4	2,5	4
	122014	16	25	M5	15	5	2	5
	122023	20	20	M6	30	5	5	3,5
	122024	20	25	M6	30	5,5	4,5	4,5
	122025	20	30	M6	25	7	4,5	4,5
	122173	25,5	20	M6	55	4,5	8	3,5
	122174	25,5	25	M6	50	6	8	4,5
	122175	25,5	30	M6	50	8	8	6
	122032	25,5	19	M8	55	4,5	8	3,5
	122033	25,5	22	M8	50	5,5	8	4
	122034	25,5	25	M8	50	6	8	4,5
	122035	25,5	30	M8	50	8	8	6
	122036	25,5	40	M8	50	10	10	6
122042	30	22	M8	80	5	11	4	
122186	30	25	M8	75	6,5	11	5	
122043	30	30	M8	70	8	11	6	
122044	30	40	M8	60	9	11	7,5	
BOBBINS TYPE C 40-60	122194	40	25	M8	150	6	20	3,5
	122195	40	28	M8	150	6	20	5,5
	122196	40	30	M8	150	6	30	5,5
	122197	40	35	M8	120	8	20	6,5
	122198	40	40	M8	120	10	20	7,5
	122199	40	45	M8	120	11	20	9
	122052	40	28	M10	150	6	20	5,5
	122192	40	30	M10	150	6	30	5,5
	122053	40	35	M10	120	8	20	6,5
	122054	40	40	M10	120	10	20	7,5
	122055	40	45	M10	120	11	20	9
	122061	50	25	M10	300	6	25	4,5
	122202	50	30	M10	275	7	25	6,5
	122062	50	35	M10	250	8	25	7
	122203	50	40	M10	210	10	25	8
	122063	50	45	M10	190	11	25	9
	122204	50	50	M10	170	11	25	10,5
	122064	50	60	M10	150	11	25	12
	122071	60	25	M10	400	6	30	4,5
	122072	60	36	M10	300	9	30	7
122073	60	45	M10	250	11	30	9	
122074	60	60	M10	200	12	30	10	
122081	70	35	M10	450	8	35	6,5	
122082	70	50	M10	350	11	35	11	
122083	70	60	M10	300	12	35	13	
122084	70	70	M10	300	14	35	15	
122092	75	40	M12	500	9	37	7	
122093	75	45	M12	500	10	37	9	
122094	75	55	M12	450	11	37	11	
122101	80	30	M14	950	7	40	5	
122102	80	40	M14	600	9	40	7	
122103	80	50	M14	550	10	40	8	
122104	80	55	M14	550	11	40	9	
122105	80	70	M14	500	13	40	15	
122106	80	75	M14	450	14	40	16	
122111	95	40	M16	1.200	8	60	7	
122112	95	55	M16	1.000	11	60	8	
122113	95	60	M16	800	12	60	10	
122114	95	75	M16	700	13	60	14	
BOBBINS TYPE C 105-150	122122	105	50	M16	1.200	9	80	9
	122123	105	75	M16	1.000	13	80	14
	122124	105	100	M16	800	16	80	16
	122131	120	50	M16	1.500	9	100	9
	122132	120	75	M16	1.200	13	100	14
	122133	120	100	M16	1.000	16	100	16
	122142	130	50	M16	1.600	9	120	9
	122143	130	75	M16	1.450	13	120	14
	122144	130	100	M16	1.200	16	120	16
	122151	150	50	M20	1.800	9	140	9
122152	150	75	M20	1.650	13	140	14	
122153	150	100	M20	1.400	16	140	16	