

CONES WITH FIXATION FLANGE

DESCRIPTION

The cones with fixation flange from AMC MECANOCAUCHO® work the elastomer at shear compression. They are comprised of a high strength external metal armour and a conical internal that is placed concentrically.

TECHNICAL CHARACTERISTICS

The cones with fixation flange from AMC MECANOCAUCHO® are conceived to offer predominant axial elasticity under heavy loads. The used elastomer is a low dynamic rigidification elastomer, which makes it possible to obtain low natural frequencies thus maintaining excellent stability of the suspended unit.

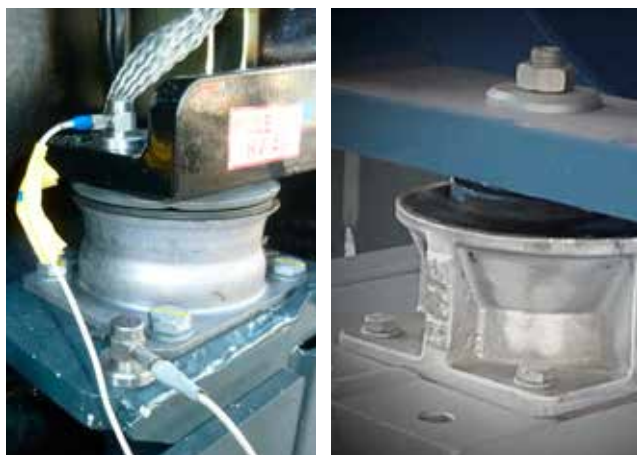
The mount's radial stiffness is superior to the axial. This is particularly interesting for applications where great horizontal stability needs to be maintained.

The AMC MECANOCAUCHO® Cone 100 mount is supplied with a height adjuster. This makes it possible to easily align transmission shafts without having to use additional accessories to do so.

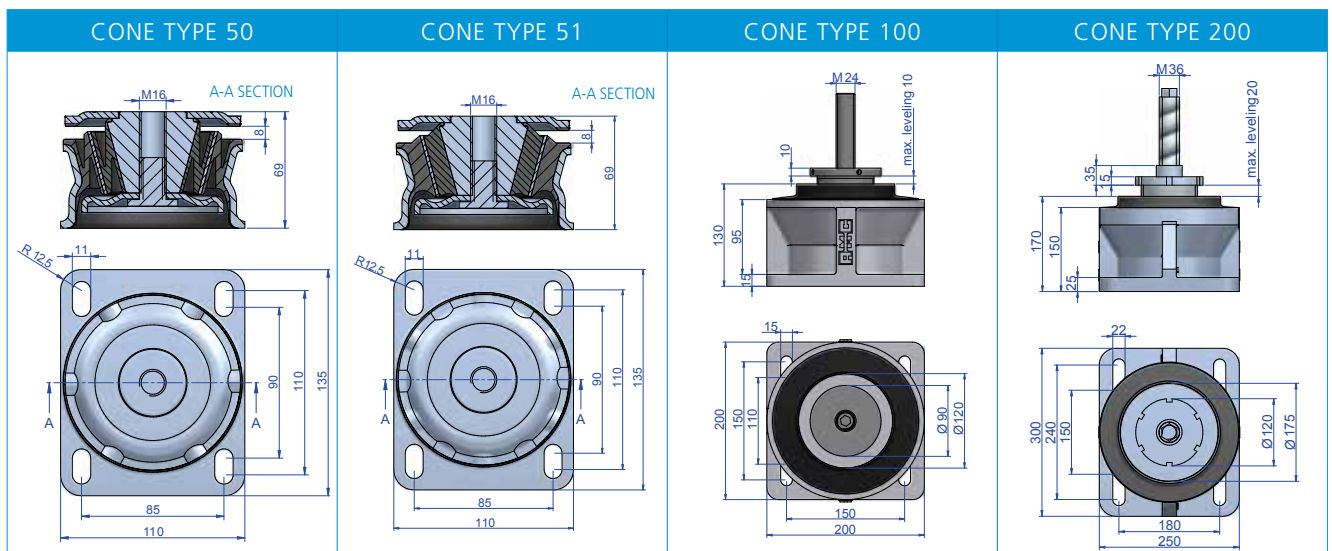
All the models also incorporate an interlocking metal part that allow them to act as a FAILSAFE system. Thanks to this, and to the ruggedness of the metal parts, this mount is suitable for applications where the suspended unit is submitted to great shocks.

APPLICATIONS

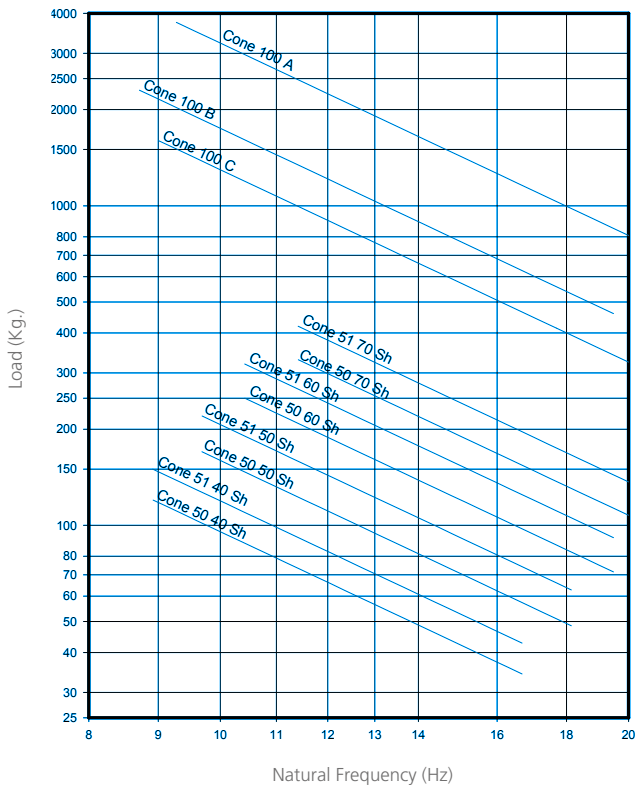
The AMC MECANOCAUCHO® cones with fixation flange have been designed specially for use in engines and auxiliary machinery for static applications and for applications in all kinds of vehicles.



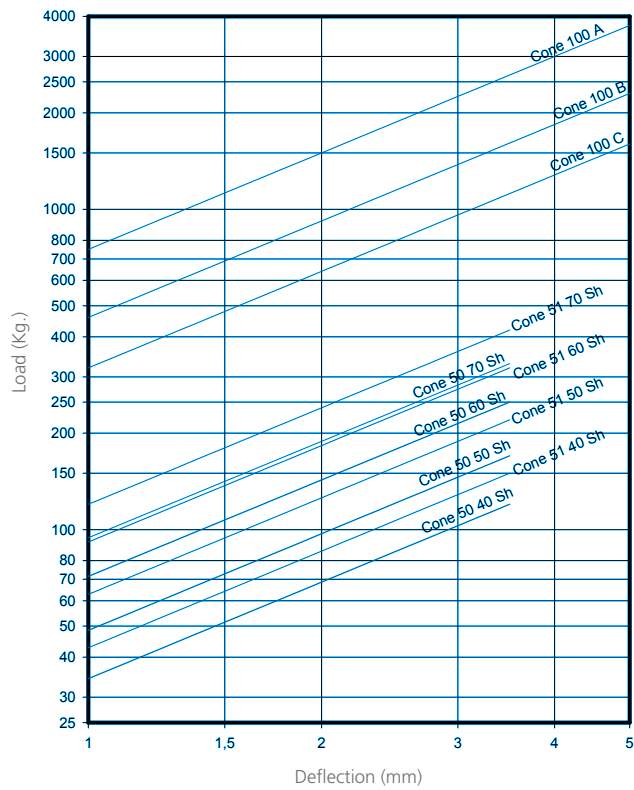
| Type | Weight (gr.) | Code | Load (Kg.) | Shore |
|-----------------|--------------|------------|------------|--------|
| Cone 50 M16x2 | 1600 | 137085 | 120 | 40 Sh |
| | | 137086 | 170 | 50 Sh |
| | | 137087 | 250 | 60 Sh |
| | | 137088 | 300 | 70 Sh |
| | | 137231 | 120 | 40 Sh |
| Cone 50 M16x1,5 | 1600 | 137233 | 170 | 50 Sh |
| | | 137235 | 250 | 60 Sh |
| | | 137237 | 300 | 70 Sh |
| | | 137095 | 150 | 40 Sh |
| Cone 51 M16x2 | 1750 | 137096 | 220 | 50 Sh |
| | | 137097 | 320 | 60 Sh |
| | | 137098 | 420 | 70 Sh |
| | | 137241 | 150 | 40 Sh |
| Cone 51 M16x1,5 | 1750 | 137243 | 220 | 50 Sh |
| | | 137245 | 320 | 60 Sh |
| | | 137247 | 420 | 70 Sh |
| | | Cone 100 A | 9626 | 137165 |
| Cone 100 B | 9626 | 137157 | 2300 | 50 Sh |
| Cone 100 C | 9626 | 137152 | 1600 | 40 Sh |
| Cone 200 A | 29000 | 137810 | 8500 | - |
| Cone 200 B | 29000 | 137801 | 6500 | - |
| Cone 200 C | 29000 | 137805 | 3900 | - |



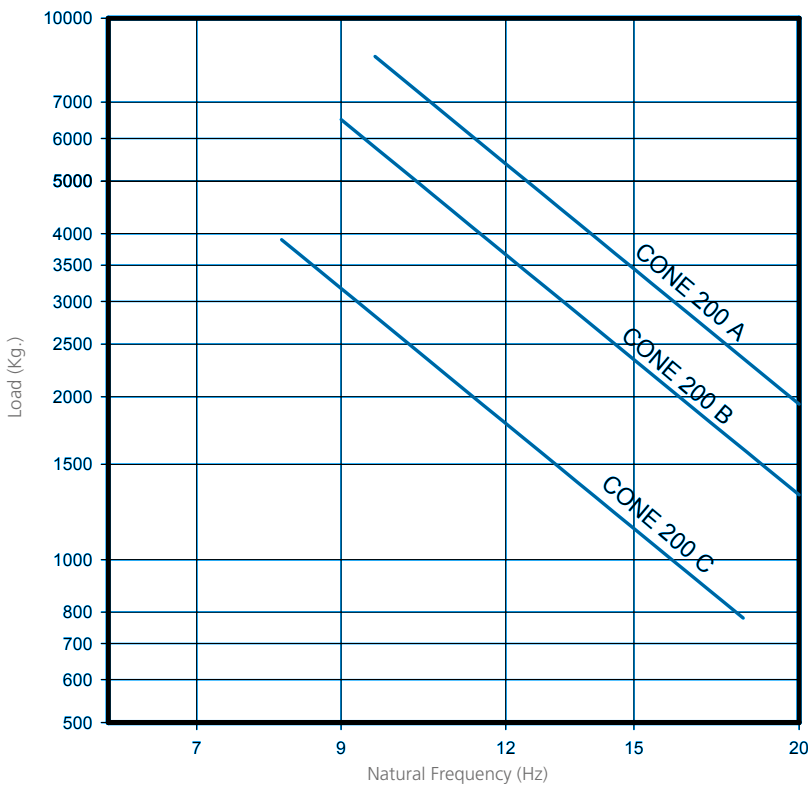
NATURAL FREQUENCY
 AMC MECANOCAUCHO® CONE TYPE 50-51-100



LOAD DEFLECTION GRAPH
 AMC MECANOCAUCHO® CONE TYPE 50-51-100



NATURAL FREQUENCY
 AMC MECANOCAUCHO® CONE TYPE 200



LOAD DEFLECTION GRAPH
 AMC MECANOCAUCHO® CONE TYPE 200

