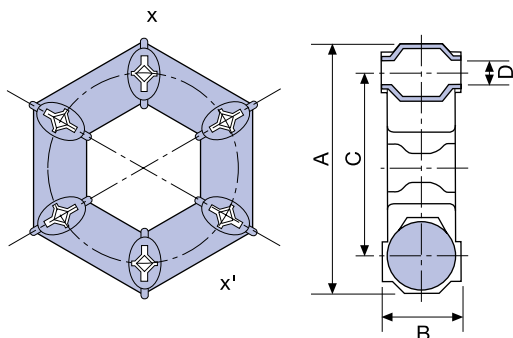


AMC MECANOCAUCHO® ELASTIC COUPLINGS



AMC MECANOCAUCHO® FLECTOR

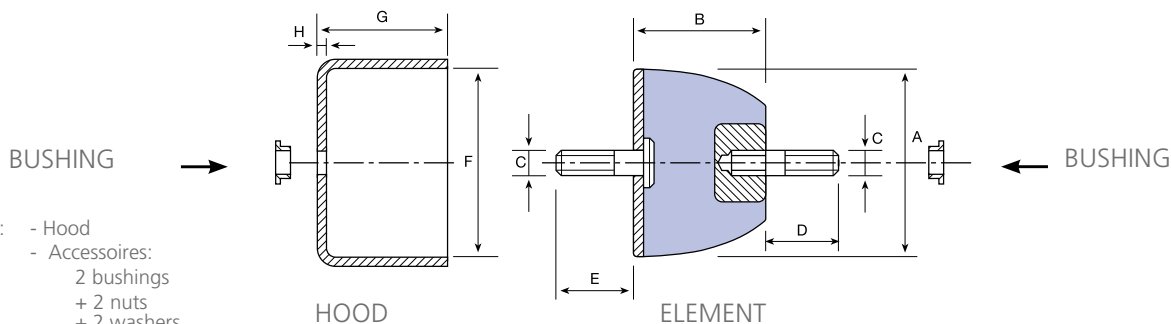
X-X' SECTION



Type	A (mm.)	B (mm.)	D (mm.)	C installed (mm.)	C free (mm.)	R.P.M. max.	Code	Nominal torque m. (Kg.)
Flector 4MKG	91	28	8	65	75	6000	160201	4
Flector 9MKG	117	32	10	85	96	5000	160202	9
Flector 16MKG	142	46	12	100	110	4500	160203	16
Flector 25MKG	181	51	14	132	146	3500	160204	25
Flector 35MKG	202	54	18	150	170	3000	160205	35
Flector 50MKG	232	62	20	170	195	2800	160206	50
Flector 70MKG	263	68	20	190	216	2400	160207	70

AMC MECANOCAUCHO® TYPE DP

Type	Code	FORCE (Kg.)	A (mm.)	B (mm.)	C	D (mm.)	E (mm.)	F (mm.)	G (mm.)	H (mm.)
ELEMENT DP-2	160241	174	84	52	M12	30	35	84,5	50	3
ELEMENT DP-4	160242	300	120	75	M16	44	49	120	75	5
ELEMENT DP-6	160243	1000	220	137	M24	80	80	20	133	10
HOOD DP-2	160251	174	84	52	M12	30	35	84,5	50	3
HOOD DP-4	160252	300	120	75	M16	44	49	120	75	5
HOOD DP-6	160253	1000	220	137	M24	80	80	20	133	10
BUSHING DP-2	160261	174	84	52	M12	30	35	84,5	50	3
BUSHING DP-4	160262	300	120	75	M16	44	49	120	75	5
BUSHING DP-6	160263	1000	220	137	M24	80	80	20	133	10



* OPTIONS:
 - Hood
 - Accessoires:
 2 bushings
 + 2 nuts
 + 2 washers