

Rubber Metal antivibration mounts

AMC-MECANOCAUCHO TYPE FZM WIRE MESH MOUNT



The AMC-MECANOCAUCHO® type FZM mounts are ideal for mobile applications where high temperatures upto 300° C are present.

Its specific design allows very similar traction and compression stiffness rates. This feature is particularly useful on those applications where vibration in the vertical sense is predominant. The metal parts are robust and incorporate a fail-safe device in order to resist traction forces.

TECHNICAL CHARACTERISTICS

The cast aluminum bell has been designed to withstand to great dynamic shocks while the stainless steel wire fits tight to avoid relative displacements.

The stainless steel wire mesh and the aluminum top cap provide a higher resistance to marine corrosive environments, improving the performance of traditional marine antivibration mounts. The failsafe device limits the vertical ascendant movement. The damping properties of the stainless steel wire mesh allows low amplification to resonance allowing stable suspended elements.

APPLICATIONS

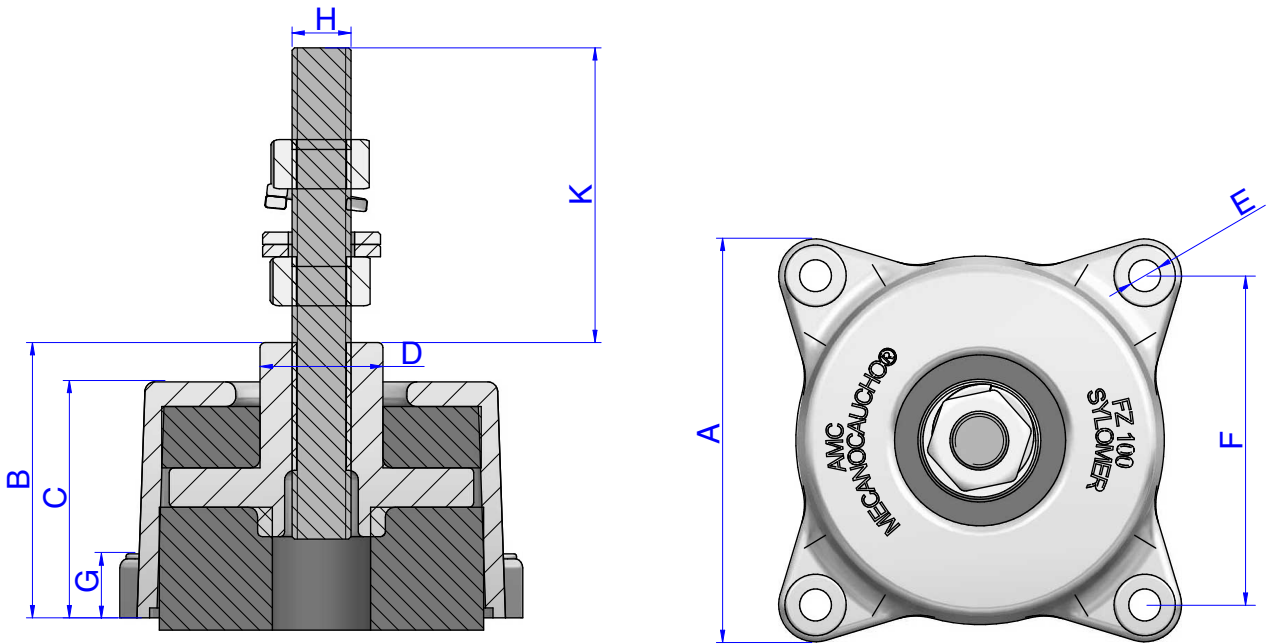
The AMC-MECANOCAUCHO® type FZM metallic mount is used for applications exposed to high temperatures or mobile applications , for example mounting on board equipment in ships, rail, road transport such as engines, pumps, generator sets or pipe work or exhaust.



Rubber Metal antivibration mounts

AMC-MECANOCAUCHO TYPE FZM WIRE MESH MOUNT

DRAWINGS



DIMENSIONS

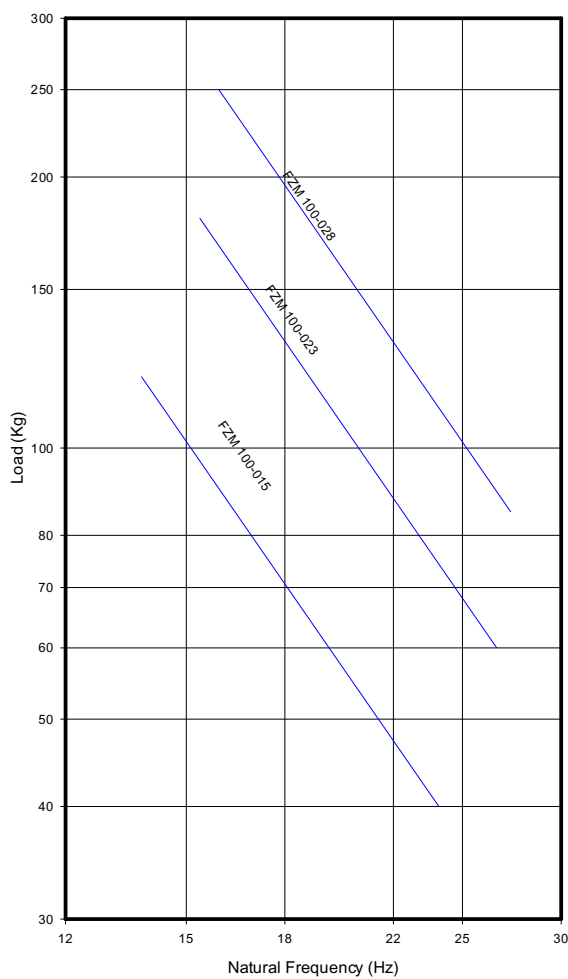
Type	A (mm.)	B (mm.)	C (mm.)	D (mm.)	E (mm.)	F (mm.)	G (mm.)	H (mm.)	I (mm.)	K (mm.)	Load (kg.)	Code
FZM 100-015 + KIT M12	80	56	48	25	6.5	67	13	12	40	60	120	176622
FZM 100-023 + KIT M12	80	56	48	25	6.5	67	13	12	40	60	180	176628
FZM 100-028 + KIT M12	80	56	48	25	6.5	67	13	12	40	60	250	176634
FZM 100-015	80	56	48	25	6.5	67	13	12	40	-	120	176621
FZM 100-023	80	56	48	25	6.5	67	13	12	40	-	180	176627
FZM 100-028	80	56	48	25	6.5	67	13	12	40	-	250	176633

Rubber Metal antivibration mounts

AMC-MECANOCAUCHO TYPE FZM WIRE MESH MOUNT

ELASTICAL PROPERTIES

AMC NATURAL FREQUENCIES
 MECANOCAUCHO® FZM



AMC LOAD DEFLECTION GRAPHS
 MECANOCAUCHO® FZM

