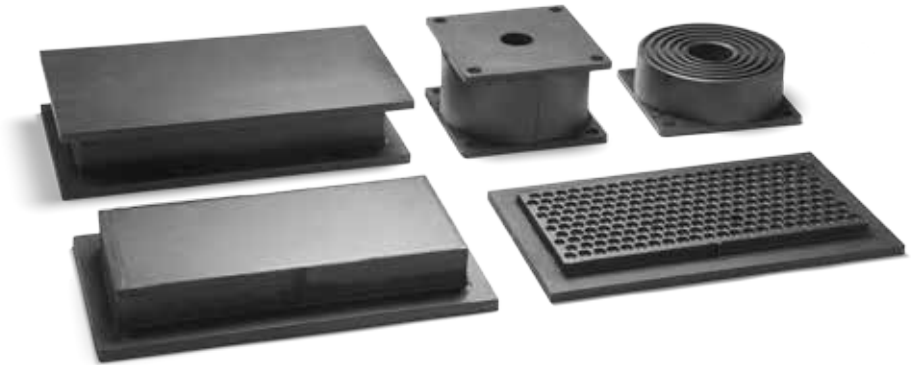


MOUNTS FOR LARGE LOADS



AMC MECANOCAUCHO® ANTI-SKID

Type	Code	Load (Kg.)	Deflection mm.
Anti-skid	141003	8.000	3

AMC MECANOCAUCHO® TYPE B

Type	Code	Load (Kg.)
Type B	141004	10000

AMC MECANOCAUCHO® TYPE P

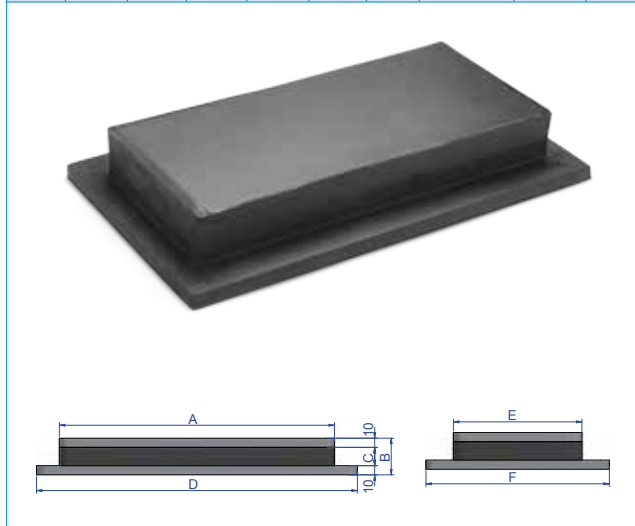
Type	Code	Load (Kg.)	Deflection mm.
Type P	141005	2.500	15

AMC MECANOCAUCHO® TYPE ANTI-SKID P

Type	Code	DIMENSIONS mm.	Max. Load (Kg./cm²)
Type P Anti-skid	141006	400x400	6

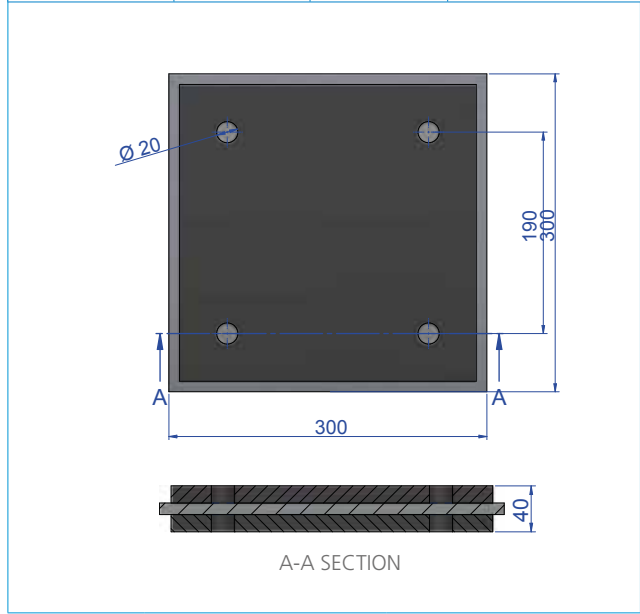
AMC MECANOCAUCHO® TYPE S

Type	A (mm.)	B (mm.)	C (mm.)	D (mm.)	E (mm.)	F (mm.)	DEFLECTION mm.	Code	Load (Kg.)
L-40	300	40	20	350	140	200	5	141021	15000
L-50	300	50	30	350	140	200	5	141022	13000
L-60	300	60	40	350	140	200	5	141023	11000
L-70	300	70	50	350	140	200	5	141024	9000

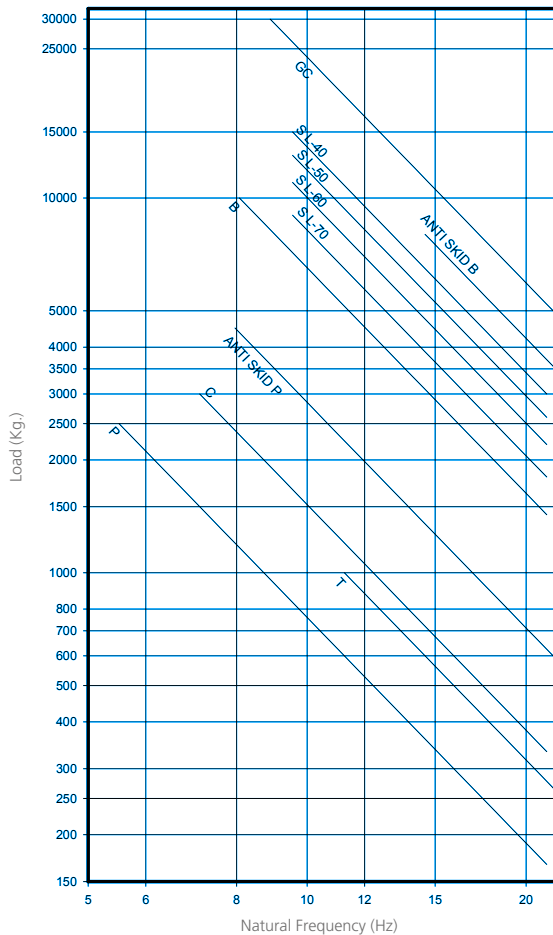


AMC MECANOCAUCHO® TYPE G.C.

Type	Code	Load (Kg.)	DEFLECTION mm.
Type G.C.	141041	30000	8



NATURAL FREQUENCY
 AMC MECANOCAUCHO® MOUNTS FOR LARGE LOADS



LOAD DEFLECTION GRAPH
 AMC MECANOCAUCHO® MOUNTS FOR LARGE LOADS

