

MARINE MOUNTS

DESCRIPTION

The Marine-type AMC MECANOCAUCHO® mounts are ideal for mobile applications thanks to their rugged architecture.

Their special design offers different stiffnesses on the three axes, they are antivibration mounts with great vertical elasticity, great longitudinal stiffness and optimal lateral stiffness to offer extra isolation on this axis.

TECHNICAL CHARACTERISTICS

- The top part of the hood has a cross-shaped stamp, which improves its stiffness in mobile applications and also improves the evacuation of oils or liquid which splash onto it.
- The metal parts have an anticorrosive treatment which is suitable for outdoor applications. RoHS compliant.
- The mounts are clearly identified, as the bases are engraved with the type and hardness.
- They have an interlocking metal component that provides a fail-safe protection for mobile applications. This device limits the ascending vertical movement when the mounting is submitted to shocks at traction.
- The top part protects the elastomer inside from possible dripping oil, diesel, ozone and ultraviolet emissions that may cause major damage to the rubber.
- The different stiffnesses for each axis make it possible to offer major flexibility in the direction perpendicular to the crankshaft/shaft of the motor. This provides more effective isolation from vibrations of all types of engines.
- For marine engine applications, contact the AMC-MECANOCAUCHO® technical department.

APPLICATIONS

In mobile rotating machines that need a major isolation capacity from vibrations and noises, such as:

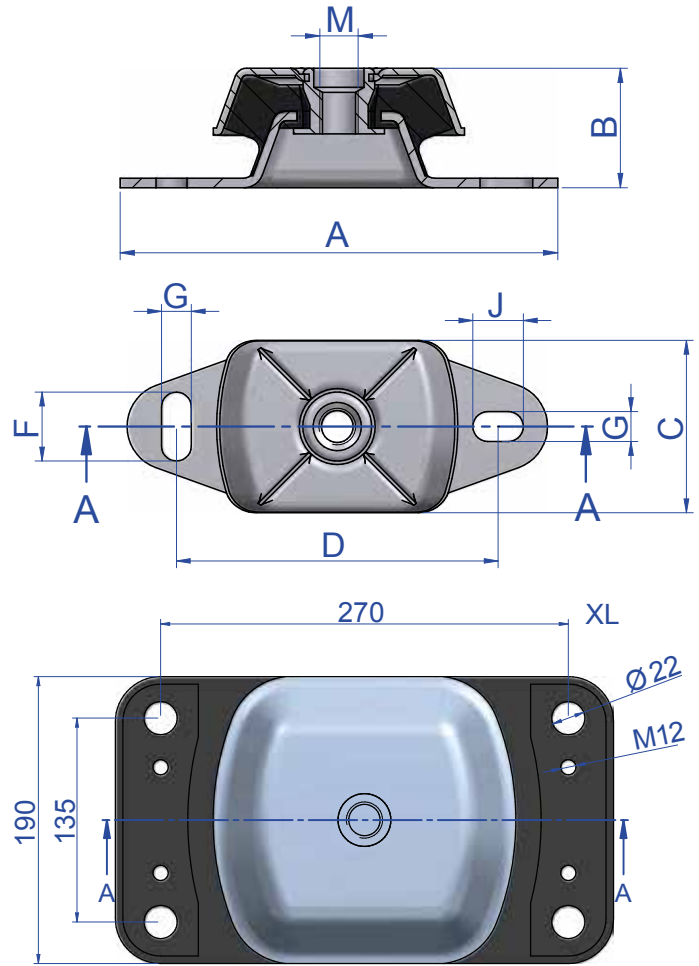
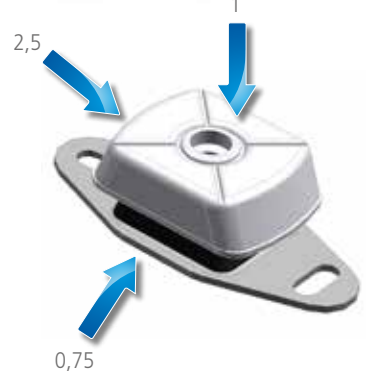
- Pumps
- Marine-Land units
- Mobile electrical panels
- Industrial vehicles
- Compressors
- Ventilators
- Marine Propellers



DNV Marine Type approval



Stiffness rates per axis

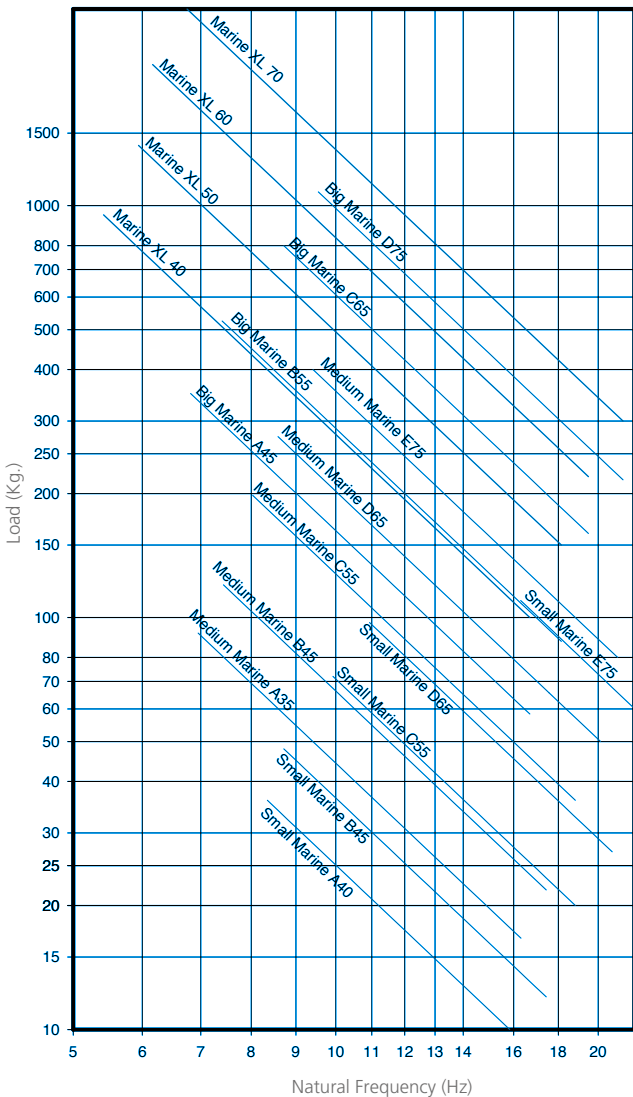


Drawing Marine XL

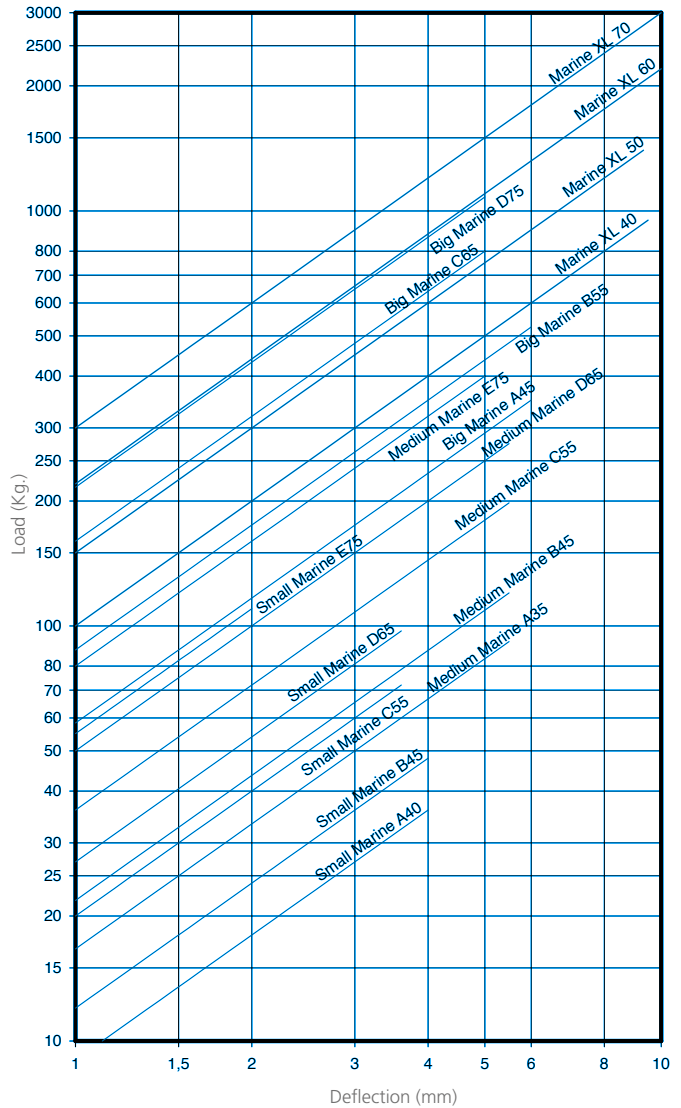
MARINE TYPE MOUNT

Type	A (mm.)	B (mm.)	C (mm.)	D (mm.)	F (mm.)	G (mm.)	J (mm.)	M	Weight (gr.)	Code	Load (Kg.)	Shore
SMALL	120	38,5	60	100	14	11	11	M12	397	136001	35	40 Sh
										136002	45	45 Sh
										136003	70	55 Sh
										136004	95	65 Sh
										136005	110	75 Sh
MEDIUM	183	50	75	140	30	13	22	M16	857	136021	95	35 Sh
										136022	120	45 Sh
										136023	220	55 Sh
										136024	280	65 Sh
										136025	400	75 Sh
LARGE	228	68	112	182	34	18	26	M20	2250	136041	350	45 Sh
										136042	525	55 Sh
										136043	800	65 Sh
										136044	1080	75 Sh
XL	330	112	190	270	22	22	22	M24	9600	136061	950	40 Sh
										136062	1400	50 Sh
										136063	2200	60 Sh
										136064	3000	70 Sh

NATURAL FREQUENCY
 AMC MECANOCAUCHO® DYNAMIC MARINE MOUNT



LOAD DEFLECTION GRAPH
 AMC MECANOCAUCHO® MARINE TYPE MOUNT



* In order to adapt its products to the state of the art, AMC .A. reserves the right to modify the conception and manufacture of the materials presented in this catalogue without prior notice.