

# NP

## DESCRIPTION

The AMC MECANOCAUCHO® NP mounts are composed of a metallic flange and a bush that are bonded to a high resilient rubber compound.

The AMC MECANOCAUCHO® NP mounts can be fitted with overload/rebound washers. This allows fail-safe installations. For this purpose we recommend using washer Ref. AMC: 608074 that has the following dimensions: 76 x 16.5 x 5mm.

The flange comes with four fixing holes and the inner bush allows up to 120 N/mm tightening torque.

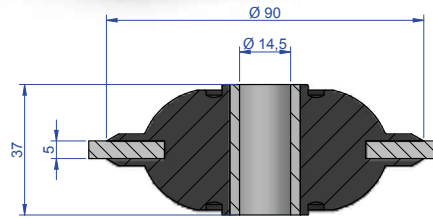
## TECHNICAL CHARACTERISTICS

AMC MECANOCAUCHO® NP mounts can be applied in mobile applications when installed with overload/rebound washers.

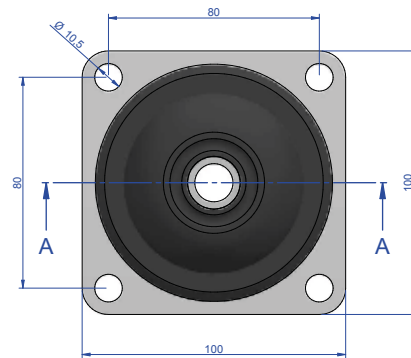
AMC MECANOCAUCHO® NP mounts are available in several rubber hardnesses to suit the load range of the application.

AMC MECANOCAUCHO® NP mounts are used for the effective noise and vibration isolation in the following applications:

- Agricultural equipment
- Construction equipment machinery.
- Cranes.
- Forklift trucks.
- Multipurpose vehicles.

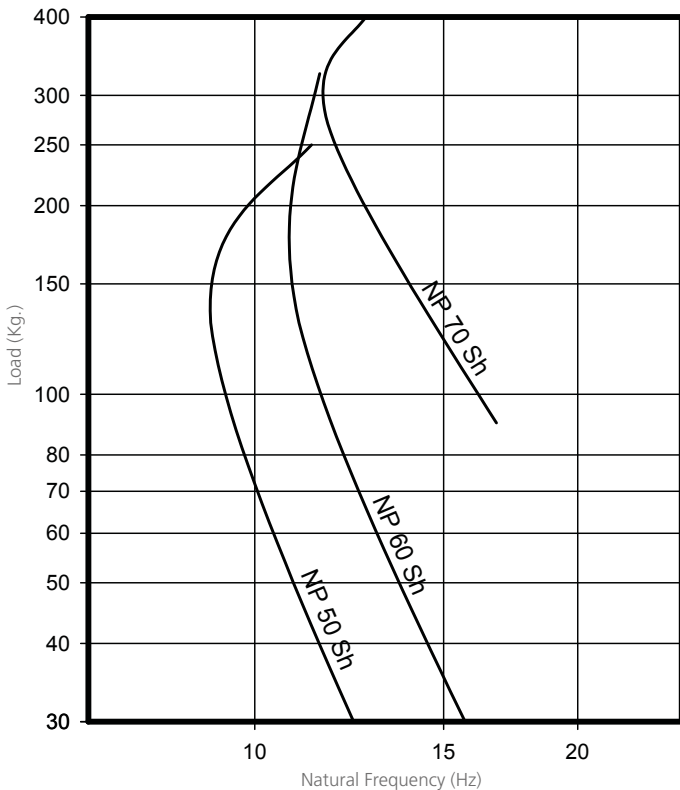


COUPE A-A



Type	Max. Load (Kg.)	Code
NP 50 Sh	250	138202
NP 60 Sh	325	138201
NP 70 Sh	400	138203

NATURAL FREQUENCY  
 AMC MECANOCAUCHO® TYPE NP



LOAD DEFLECTION CURVE  
 AMC MECANOCAUCHO® TYPE NP

