

SCB

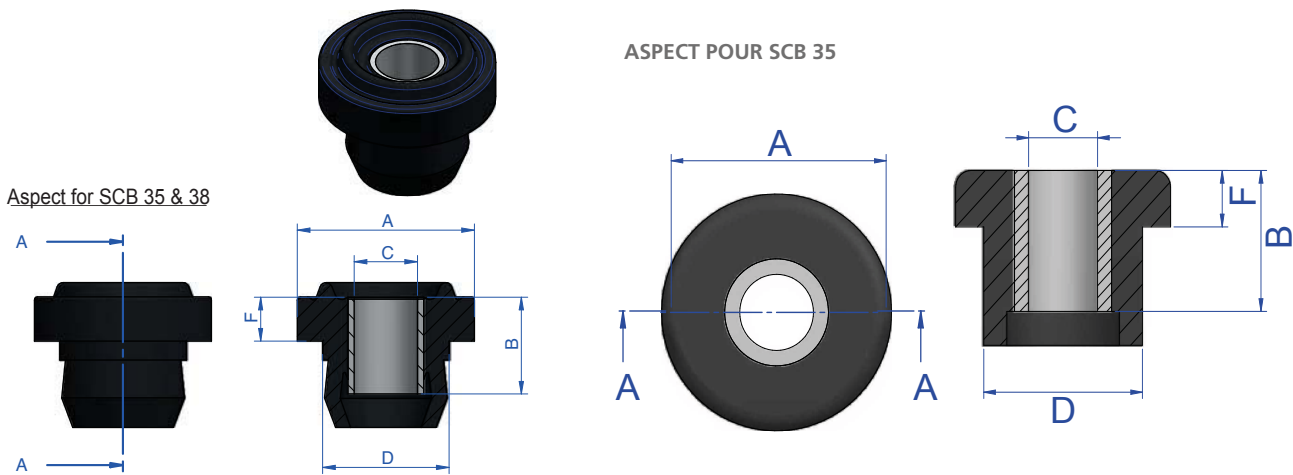
DESCRIPTION

The SCB elastic mounts are elements that work on the basis of compression since thanks to their design and assembly they provide an anti-rebound effect, thus permitting safety assemblies.

ADVANTAGES

- Easy to install
- Simple and economical product.
- Wide range of loads.

The inside stop effect makes them very recommendable for safety purposes.

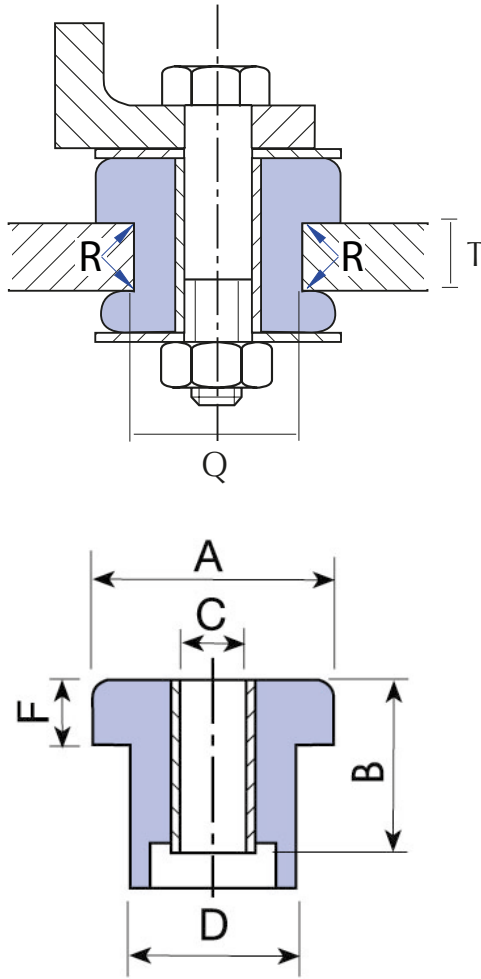


Washers should be used, if the rubber surface is not covered with the contact surface.
 Washers upon request by E-Catalog.

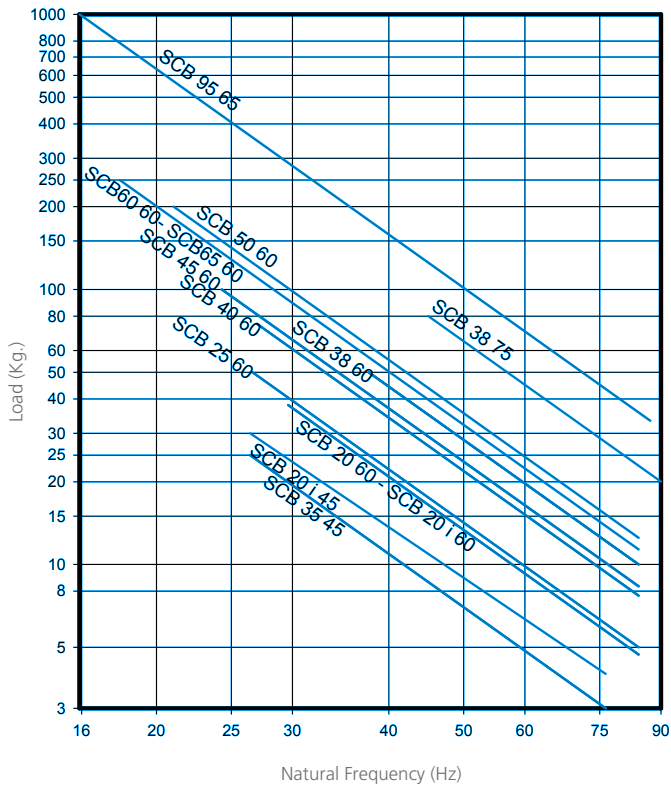
Type	A (mm.)	B (mm.)	C (mm.)	D (mm.)	F (mm.)	Q (mm.)	T (Max.)	T (Min.)	Weight (gr.)	R (mm.)	Code	Load (Kg.)	Shore
SCB 20	27	15,5	10	20	6,5	19,5	5	4	20	1	138013 138019	30 38	45 Sh 60 Sh
SCB 20i	27	15,5	8	20	6,5	19,5	5	4	20	1	138056	38	60 Sh
SCB 25	27	21	10	20	6,5	19,5	11	10	20	1	138001	50	60 Sh
SCB 35	27,5	12,5	8	19,4	7	19	4	3	30	0,5	138012	25	45 Sh
SCB 38	34,5	19	10,5	20,5	11,5	20,5	5	3	30	0,5	138043 138044	50 80	60 Sh 75 Sh
SCB 40	35	15,5	13	27	7	26,5	5	4	50	1	138022	75	60 Sh
SCB 45	42	25	13,5	31	10,5	30	11	10	56	1,5	138002	100	60 Sh
SCB 50	49	35	13,5	34	13,5	33	17	16	73	1,5	138003	200	60 Sh
SCB 60	63	31,2	16,2	41	16	40	10	9	108	3	138004	250	60 Sh
SCB 65	62	44,5	16,5	40	17	39	20	19	140	3	138005	250	60 Sh
SCB 95	92	51,5	20,5	56	26	54,5	20	19	395	3	138011	1000	65 Sh

Type	Øext (mm.)	Øint (mm.)	THICKNESS (mm.)	Code
SCB 20 WASHER	28	8,5	2	606124
SCB 20i WASHER	28	8,5	2	606124
SCB 25 WASHER	28	8,5	2	606124
SCB 35 WASHER	28	8,5	2	606124
SCB 38 WASHER	38	12,5	3	611065
SCB 40 WASHER	38	12,5	3	611065
SCB 45 WASHER	54	12,5	3	611080
SCB 50 WASHER	54	12,5	3	611080
SCB 60 WASHER	66	16,5	5	606130
SCB 65 WASHER	66	16,5	5	606130
SCB 95 WASHER	95	22	6	608101

ASCFMRI V



NATURAL FREQUENCY
 AMC MECANOCAUCHO® SCB TYPE



LOAD DEFLECTION GRAPH
 AMC MECANOCAUCHO® SCB TYPE

