

SCH

DESCRIPTION

The AMC MECANOCAUCHO® SCH type mounts are made of two parts of rubber, one of which bears an inside metal bushing which acts as a guide through the machine anchoring screw.

It is installed pre-compressed on the actual machine frame, whose thickness "E" determines the degree of precompression.

TECHNICAL CHARACTERISTICS

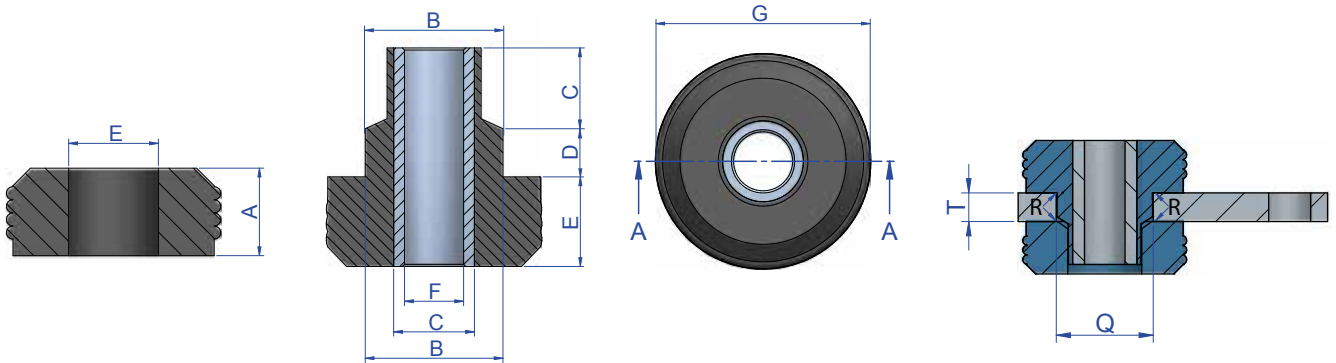
This antivibration mount is ideal for applications of major dynamic loads where movement control is necessary, such as in the cabins of all types of mobile vehicles. It also offers optimal stability, as well as good attenuation of impacts and vibrations.

APPLICATIONS

- Vehicle cabins.
- Public works and agricultural vehicles, etc.

ASSEMBLY INSTRUCTIONS

The SCH mounts should be assembled according to the following installation instructions. There are two possible configurations, see assembly 1 and assembly 2, for which the recommendations given in the following chart must be observed. They can be installed in plates of different thicknesses according to the T_{max} and T_{min} values given in the table at the bottom. The Load vs. Deformation curves will vary according to the thickness of the plate on which the mount is to be installed.

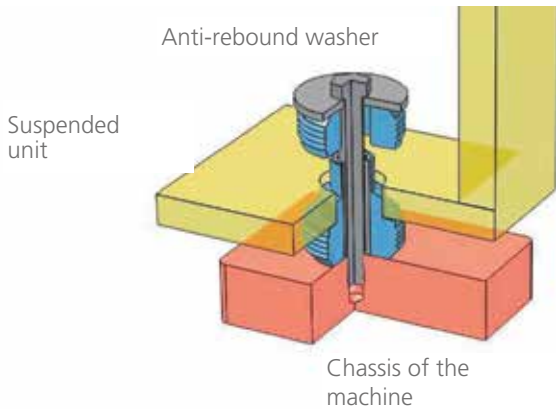


Washers should be used, if the rubber surface is not covered with the contact surface.
 Washers upon request by E-Catalog.

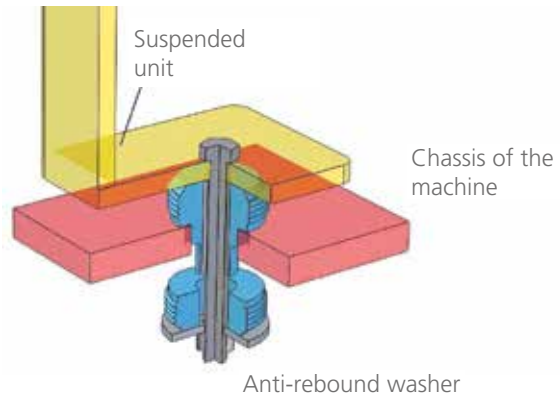
Type	A (mm.)	B (mm.)	C (mm.)	D (mm.)	E (mm.)	F (mm.)	G (mm.)	Q (mm.)	T (Max.)	T (Min.)	Weight (gr.)	R (mm.)	Code	Shore	Max. Load (Kg.)
SCH 50	20	31,5	18,5	11	20,5	13,5	49	30,8	14	12,5	153	1,5	138501	45 Sh	80
													138504	60 Sh	130
SCH 65	23	39,5	24	15	23	17	63,5	38,5	22	19	350	2,5	138502	45 Sh	120
													138505	60 Sh	260
SCH 90	25	58	31	17	25	23	88	57	29	25	675	3	138503	45 Sh	260
													138506	60 Sh	450
SCH 125	32	64,5	32,5	22	32	27	125,5	64	32	25	1440	3	138514	50 Sh	650
													138515	60 Sh	800

Type	Code	Øext (mm.)	Øint (mm.)	THICKNESS (mm.)
SCH 50 WASHER	611080	54	13,5	4
SCH 65 WASHER	606130	67	16,5	5
SCH 90 WASHER	608101	96	22	6
SCH 125 WASHER	610123	125	25	8

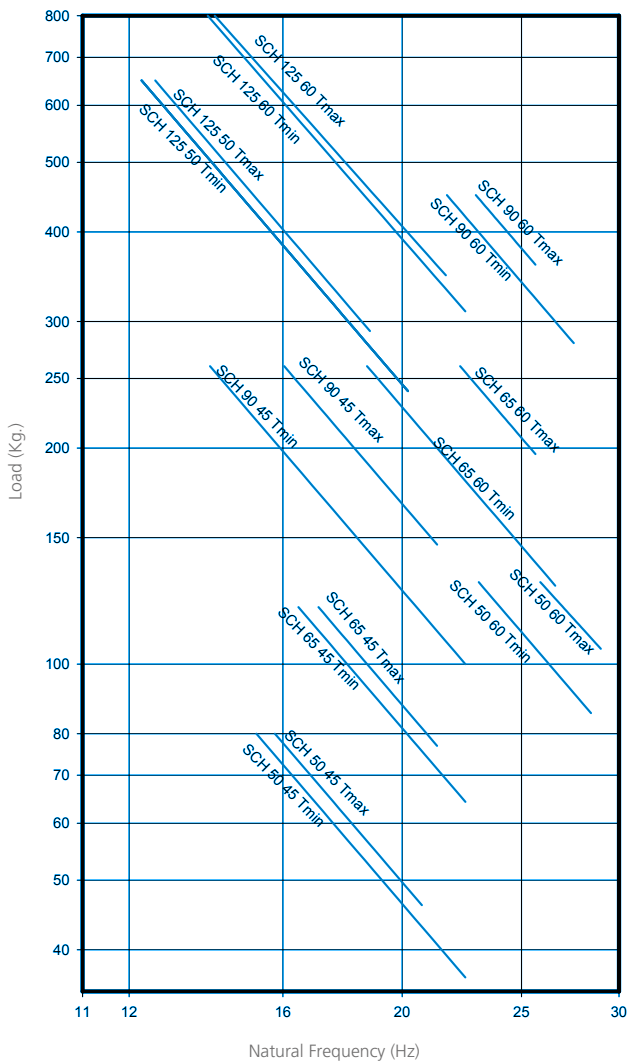
- Assembly 1



- Assembly 2



NATURAL FREQUENCY
 AMC MECANOCAUCHO® SCH TYPE



LOAD DEFLECTION GRAPH
 AMC MECANOCAUCHO® SCH TYPE

