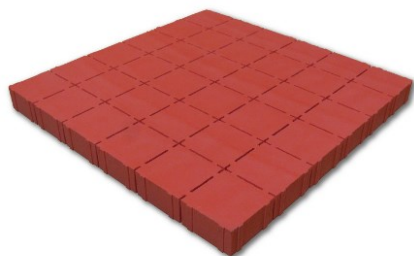


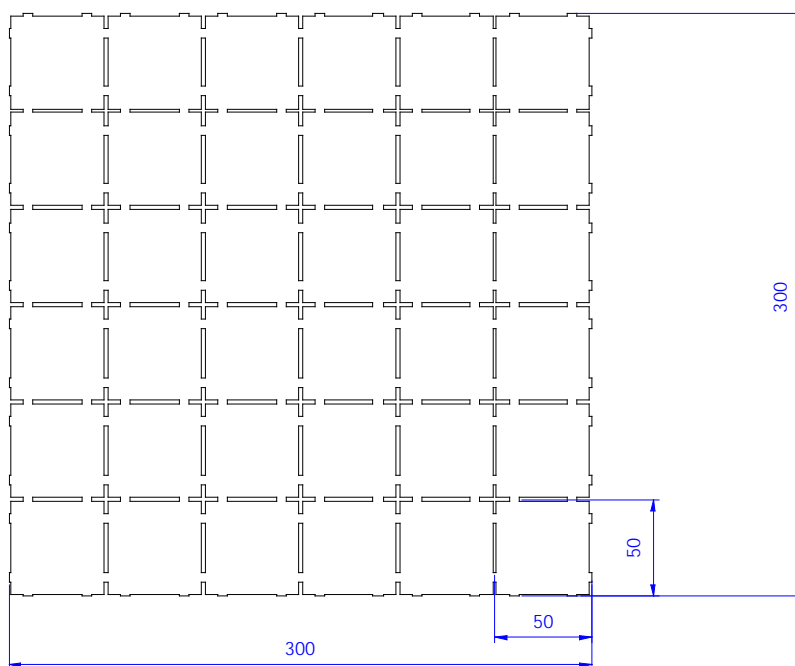
Akustik + Sylomer

SYLOMER PAD



The aim of this product is to avoid the noise and vibration transmission through the solid material by introducing elastic mounts, with the advantage that we can provide solution to different machines with just one product.

DESIGNS



TECHNICAL CHARACTERISTICS

The pieces are made of Sylomer, which is a very effective material for avoid the transmission of the noise and vibrations thank to its mechanical and elastic proprieties. The microcellular structure provides optimal isolation values with little deflection.

There are available three different Sylomer densities to ideally suit different required load ranges.

The possibility to cut easily the required piece number according to the load by support makes this product very interesting for all kind of machinery thank to its adaptability.

DIMENSIONS

Genre	Charge max. kg/piece	épaisseur (mm.)	Nat Freq. Hz	Code
SYLOMER PAD 110	20	12	20,1	707601
		25	13,7	707602
SYLOMER PAD 220	40	12	17,4	707603
		25	11,4	707604
SYLOMER PAD 450	80	12	16,1	707605
		25	10,6	707606

BENEFIT

- **Great isolation:** Thanks to the anti-vibration characteristics of the **Sylomer**, low natural frequencies are assured, so that optimum isolation values are achieved.
- **Chemical resistance:** It remains stable under the interaction of most chemical agents such as oils, grease, solvents, petrol, etc.
- **Durability:** Mechanical proprieties remain intact along the years, no maintenance is necessary.
- **Versatility:** It is right for most of the machines such as, chillers, compressors, diesel generators, HVAC units, lathes, presses, saws, etc.
- **Simple and easy installation:** As it is easy to cut the required pieces, it is suitable to most kind of machinery and supports.

FZ SYLOMER® MOUNTS

DESCRIPTION

The AMC MECANOCAUCHO® FZ mounts use high resiliency Sylomer® polyurethane compounds. The internal architecture of the mount is composed of two metal parts surrounded by the elastic compound. The exterior metallic armor incorporates 4 holes for the fixation of the mount to the frame. The interior metal part consists of a machined metal ring that transfers the traction and compression loads to the elastomer. This machined metal ring has a wider diameter than the exterior metal armor acting as a failsafe device.

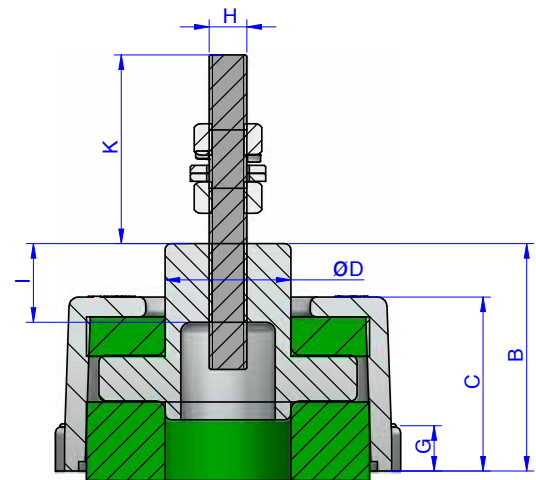
TECHNICAL CHARACTERISTICS

- The AMC-MECANOCAUCHO FZ mounts incorporate an interlocking metal component that provide a fail-safe protection for mobile applications. This device limits the ascending vertical movement when the mounting is submitted to shocks at traction.
- The thickness of the metal parts are robust and are suitable for off-road applications. The metal parts have a suitable anticorrosive treatment for outdoor applications.
- The Sylomer® polyurethane compound is oil resistant and the temperature range of the FZ mounts is -30°C to +70°C.

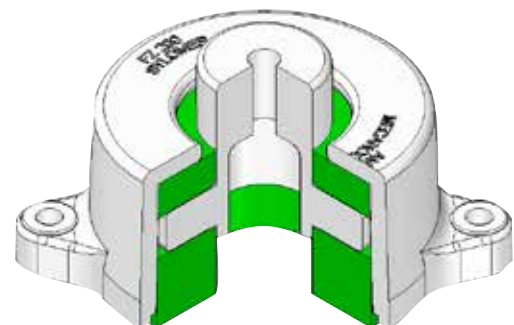
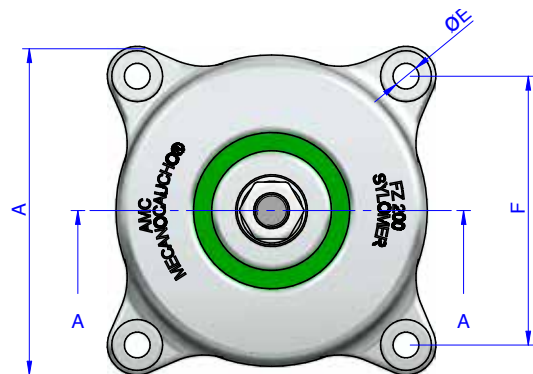
APPLICATIONS

The AMC MECANOCAUCHO® FZ mounts have been primarily designed for static applications.

They are often used for the isolation of sensitive equipment embarqued on vehicles submitted to shocks.

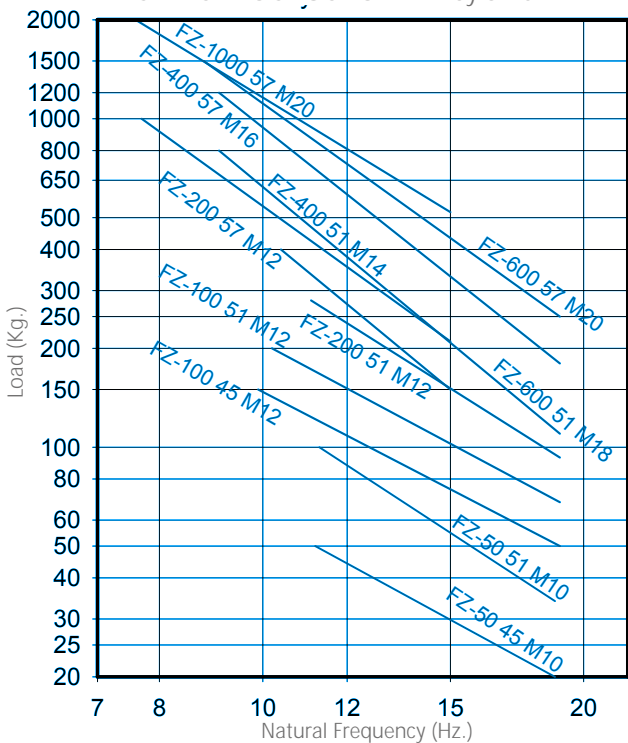


A-A SECTION



Type	A (mm.)	B (mm.)	C (mm.)	D (mm.)	E (mm.)	F (mm.)	G (mm.)	H	I (mm.)	K (mm.)	Load (Kg.)	Code
FZ-50-45-M10 + LEV. KIT	67	45.5	38	28	6.5	52	13	M10	26	60	0-50	176281
FZ-50-51-M10 + LEV. KIT	67	45.5	38	28	6.5	52	13	M10	26	60	50-100	176291
FZ-100-45-M12 + LEV. KIT	80	56	48	25	6.5	67	13	M12	40	60	100-150	176299
FZ-100-51-M12 + LEV. KIT	80	56	48	25	6.5	67	13	M12	40	60	150-200	176301
FZ-200-51-M12 + LEV. KIT	108	72	55	40	8,5	90	15	M12	25	60	170-280	176311
FZ-200-57-M12 + LEV. KIT	108	72	55	40	8,5	90	15	M12	25	60	280-400	176321
FZ-200-57-M14 + LEV. KIT	108	72	55	40	8,5	90	15	M14	25	60	280-400	176323
FZ-400-51-M14 + LEV. KIT	155	95	80	65	12,5	125	22	M14	28	60	460-800	176331
FZ-400-57-M16 + LEV. KIT	155	95	80	65	12,5	125	22	M16	28	60	800-1000	176341
FZ-600-51-M18 + LEV. KIT	175	95	80	65	14	140	23	M18	28	60	1000-1200	176351
FZ-600-57-M20 + LEV. KIT	175	95	80	65	14	140	23	M20	28	60	1200-1500	176361
FZ-1000-57-M20 + LEV. KIT	205	95	80	65	16	162	28	M20	28	60	1500-2000	176371
FZ-50-45-M10	67	45.5	38	28	6.5	52	13	M10	26	-	0-50	176282
FZ-50-51-M10	67	45.5	38	28	6.5	52	13	M10	26	-	50-100	176292
FZ-100-45-M12	80	56	48	25	6.5	67	13	M12	40	-	100-150	176300
FZ-100-51-M12	80	56	48	25	6.5	67	13	M12	40	-	150-200	176302
FZ-200-51-M12	108	72	55	40	8,5	90	15	M12	25	-	170-280	176312
FZ-200-57-M12	108	72	55	40	8,5	90	15	M12	25	-	280-400	176322
FZ-200-57-M14	108	72	55	40	8,5	90	15	M14	25	-	280-400	176324
FZ-400-51-M14	155	95	80	65	12,5	125	22	M14	28	-	460-800	176332
FZ-400-57-M16	155	95	80	65	12,5	125	22	M16	28	-	800-1000	176342
FZ-600-51-M18	175	95	80	65	14	140	23	M18	28	-	1000-1200	176352
FZ-600-57-M20	175	95	80	65	14	140	23	M20	28	-	1200-1500	176362
FZ-1000-57-M20	205	95	80	65	16	162	28	M20	28	-	1500-2000	176372

NATURAL FREQUENCY
 AMC MECANOCAUCHO® FZ + Sylomer®



LOAD DEFLECTION GRAPH
 AMC MECANOCAUCHO® FZ + Sylomer®

