

FZ SYLOMER® MOUNTS

DESCRIPTION

The AMC MECANOCAUCHO® FZ mounts use high resiliency Sylomer® polyurethane compounds. The internal architecture of the mount is composed of two metal parts surrounded by the elastic compound. The exterior metallic armor incorporates 4 holes for the fixation of the mount to the frame. The interior metal part consists of a machined metal ring that transfers the traction and compression loads to the elastomer. This machined metal ring has a wider diameter than the exterior metal armor acting as a failsafe device.

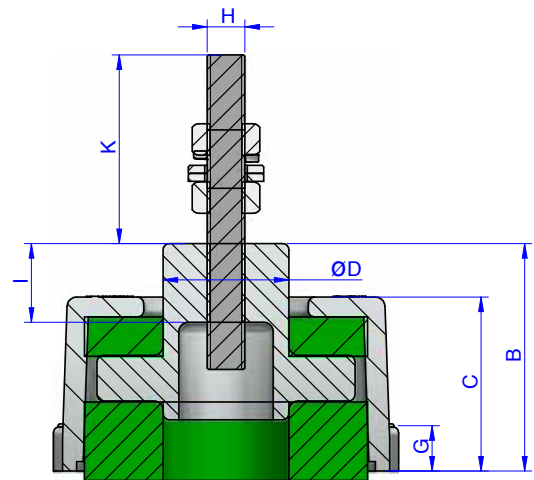
TECHNICAL CHARACTERISTICS

- The AMC-MECANOCAUCHO FZ mounts incorporate an interlocking metal component that provide a fail-safe protection for mobile applications. This device limits the ascending vertical movement when the mounting is submitted to shocks at traction.
- The thickness of the metal parts are robust and are suitable for off-road applications. The metal parts have a suitable anticorrosive treatment for outdoor applications.
- The Sylomer® polyurethane compound is oil resistant and the temperature range of the FZ mounts is -30°C to +70°C.

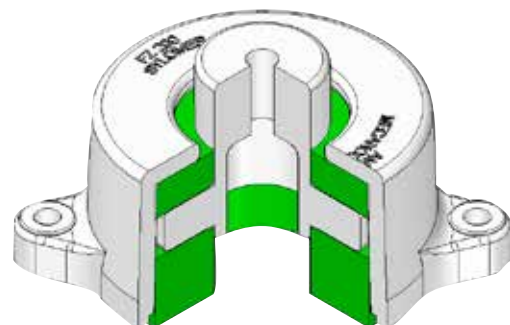
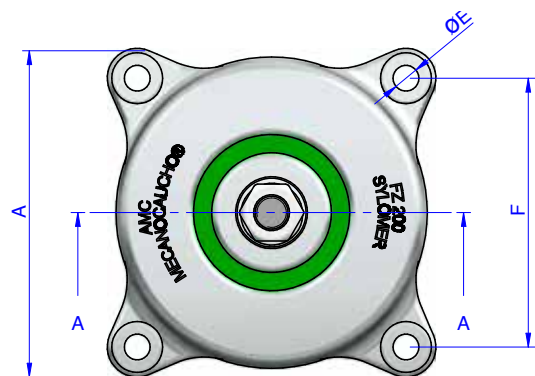
APPLICATIONS

The AMC MECANOCAUCHO® FZ mounts have been primarily designed for static applications.

They are often used for the isolation of sensitive equipment embarqued on vehicles submitted to shocks.

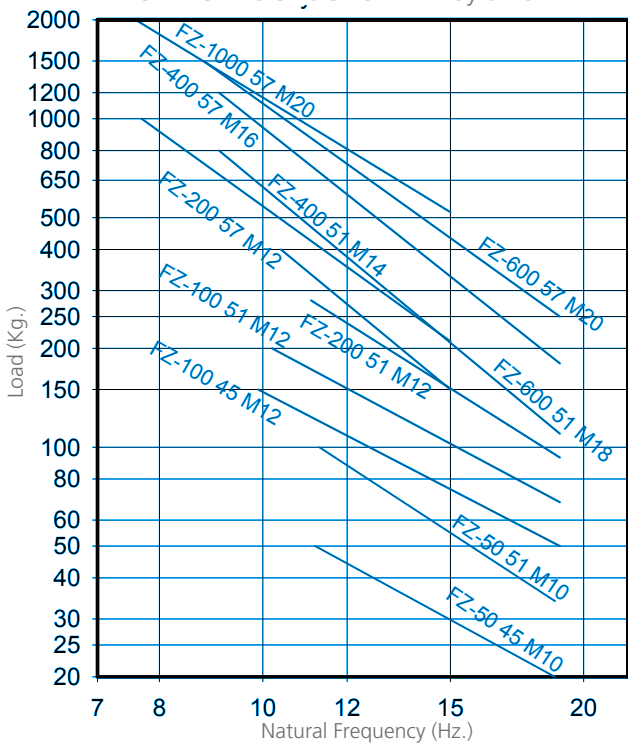


A-A SECTION



Type	A (mm.)	B (mm.)	C (mm.)	D (mm.)	E (mm.)	F (mm.)	G (mm.)	H	I (mm.)	K (mm.)	Load (Kg.)	Code
FZ-50-45-M10 + LEV. KIT	67	45.5	38	28	6.5	52	13	M10	26	60	0-50	176281
FZ-50-51-M10 + LEV. KIT	67	45.5	38	28	6.5	52	13	M10	26	60	50-100	176291
FZ-100-45-M12 + LEV. KIT	80	56	48	25	6.5	67	13	M12	40	60	100-150	176299
FZ-100-51-M12 + LEV. KIT	80	56	48	25	6.5	67	13	M12	40	60	150-200	176301
FZ-200-51-M12 + LEV. KIT	108	72	55	40	8.5	90	15	M12	25	60	170-280	176311
FZ-200-57-M12 + LEV. KIT	108	72	55	40	8.5	90	15	M12	25	60	280-400	176321
FZ-200-57-M14 + LEV. KIT	108	72	55	40	8.5	90	15	M14	25	60	280-400	176323
FZ-400-51-M14 + LEV. KIT	155	95	80	65	12.5	125	22	M14	28	60	460-800	176331
FZ-400-57-M16 + LEV. KIT	155	95	80	65	12.5	125	22	M16	28	60	800-1000	176341
FZ-600-51-M18 + LEV. KIT	175	95	80	65	14	140	23	M18	28	60	1000-1200	176351
FZ-600-57-M20 + LEV. KIT	175	95	80	65	14	140	23	M20	28	60	1200-1500	176361
FZ-1000-57-M20 + LEV. KIT	205	95	80	65	16	162	28	M20	28	60	1500-2000	176371
FZ-50-45-M10	67	45.5	38	28	6.5	52	13	M10	26	-	0-50	176282
FZ-50-51-M10	67	45.5	38	28	6.5	52	13	M10	26	-	50-100	176292
FZ-100-45-M12	80	56	48	25	6.5	67	13	M12	40	-	100-150	176300
FZ-100-51-M12	80	56	48	25	6.5	67	13	M12	40	-	150-200	176302
FZ-200-51-M12	108	72	55	40	8.5	90	15	M12	25	-	170-280	176312
FZ-200-57-M12	108	72	55	40	8.5	90	15	M12	25	-	280-400	176322
FZ-200-57-M14	108	72	55	40	8.5	90	15	M14	25	-	280-400	176324
FZ-400-51-M14	155	95	80	65	12.5	125	22	M14	28	-	460-800	176332
FZ-400-57-M16	155	95	80	65	12.5	125	22	M16	28	-	800-1000	176342
FZ-600-51-M18	175	95	80	65	14	140	23	M18	28	-	1000-1200	176352
FZ-600-57-M20	175	95	80	65	14	140	23	M20	28	-	1200-1500	176362
FZ-1000-57-M20	205	95	80	65	16	162	28	M20	28	-	1500-2000	176372

NATURAL FREQUENCY
 AMC MECANOCAUCHO® FZ + Sylomer®



LOAD DEFLECTION GRAPH
 AMC MECANOCAUCHO® FZ + Sylomer®

