

Rubber Metal antivibration mounts

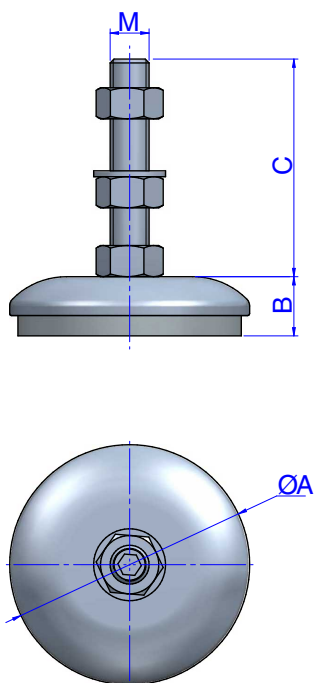
PM SYLOMER POLYURETHANE SUPPORTS



AMC-MECANOCAUCHO has created a new range of Machine Foot supports for heavy loads. In order to support these heavy weights we use a special mixture of high density polyurethane Sylomer®.

Sylomer® offers a better resistance than rubber synthetics made of oil solvents, acids and bases.

DRAWINGS



DIMENSIONS

Type	A (mm.)	B (mm.)	C (mm.)	M	LOAD Kg. MIN	LOAD Kg. MAX	Weight (kg.)	Code
PM SYLOMER® 70	70	25	87	M-12	200	950	0,286	144101
PM SYLOMER® 105	105	27	117	M-16	500	2500	0,59	144102
PM SYLOMER® 125	125	30	112	M-20	2000	4000	0,95	144103
PM SYLOMER® 165	165	35	112	M-20	4000	7500	1,95	144104
PM SYLOMER® 220	220	40	107	M-24	5000	11500	4,7	144105