

# V-SHAPED MARINE TYPE

## DESCRIPTION

The AMC MECANOCAUCHO® V-shaped marine mount works the rubber section in shear-compression. It is comprised of 2 metal parts which permit its installation by means of a screw at the top and two holes for securing it to the chassis.

## TECHNICAL CHARACTERISTICS

The AMC MECANOCAUCHO® V-shaped marine mount has a V-shaped design providing high deflections for relatively low loads. This means that the natural frequency is low and ideal for engines which normally work at iddle speed.

It has three different stiffness rates X,Y,Z which permits adjustments of system modes for optimal isolation and stability.

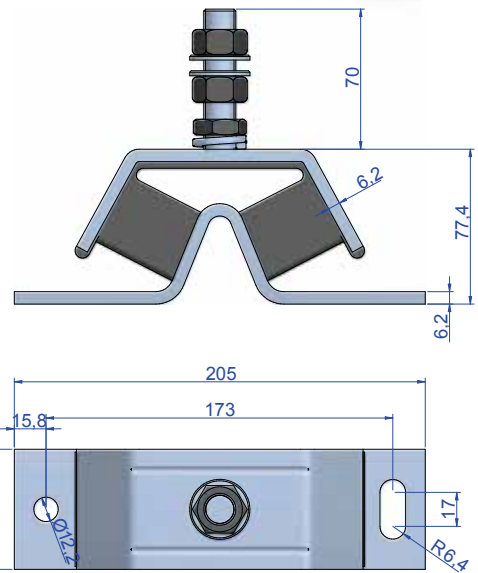
## APPLICATIONS

It is used in applications where the load of the suspended unit is low, and where high deflection is required to reach high vibration isolation levels.

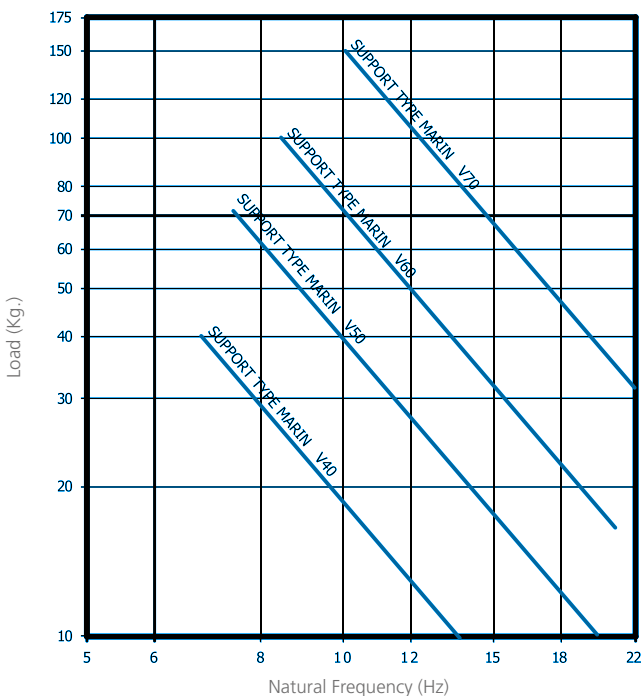
Small vehicle or machines, small and medium sized gensets, marine engines,...



Type	Weight (gr.)	Code	Load (Kg.)	Shore
V-shaped marine	1720	148001	40	40 Sh
		148003	75	50 Sh
		148004	100	60 Sh
		148006	150	70 Sh



NATURAL FREQUENCY AMC MECANOCAUCHO®  
 TYPE MARINE V SHAPED MOUNT



LOAD DEFLECTION AMC MECANOCAUCHO®  
 TYPE MARINE V SHAPED MOUNT

